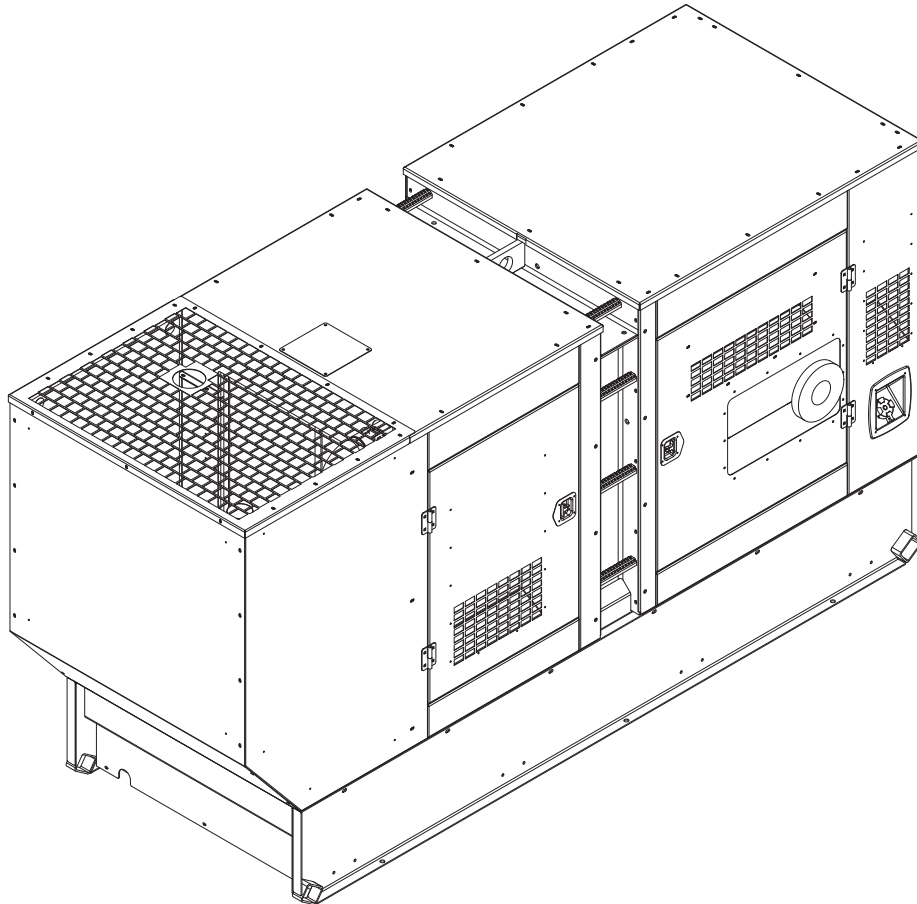




DRY-PRIME DIESEL TRASH PUMP
MTP6504NPC



PARTS MANUAL

INTRODUCTION

Before servicing this machine, make sure the engine start switch is turned to off "O", the emergency stop switch is closed (pushed in), and the negative (-) battery terminal is disconnected. Attach a "DO NOT START" sign to the control panel. This will notify everyone that the unit is being serviced and will reduce the chance of someone inadvertently trying to start the unit.

▲ WARNING

Before operating or servicing this equipment, read and understand the Magnum Operating Manual which was included with the unit when shipped from the factory. Failure to do so increases the risk of injury to yourself or others.

MAGNUM POWER PRODUCTS LLC

215 Power Drive • Berlin, WI 54923

U.S.A.

Phone: 920-361-4442

FAX: 920-361-4416

Toll Free: 1-800-926-9768

www.m-p-llc.com

For technical or parts QUESTIONS, please contact the Magnum Power Products Customer Support or Technical Support team at 920-361-4442 or toll free at 1-800-926-9768. Please have your serial number available.

To ORDER SERVICE PARTS, please contact the dealer from which you purchased the unit, or call Magnum Power Products to locate a dealer in your area.

Engine Make: _____

Engine Serial Number: _____

Engine Model Number: _____

Pump Make: _____

Pump Model Number: _____

Pump Serial Number: _____

Unit Model Number: _____

Unit Serial Number: _____

▲ WARNING

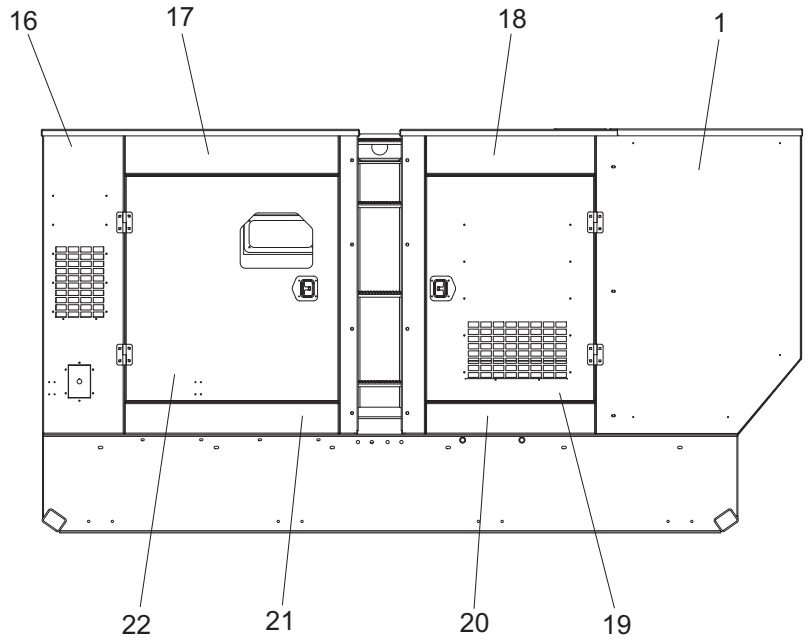
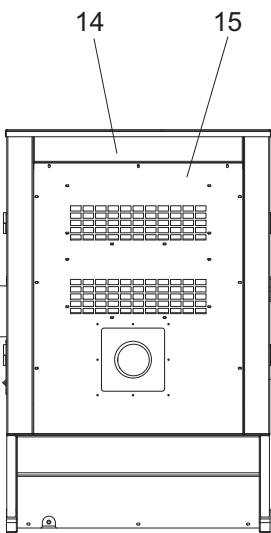
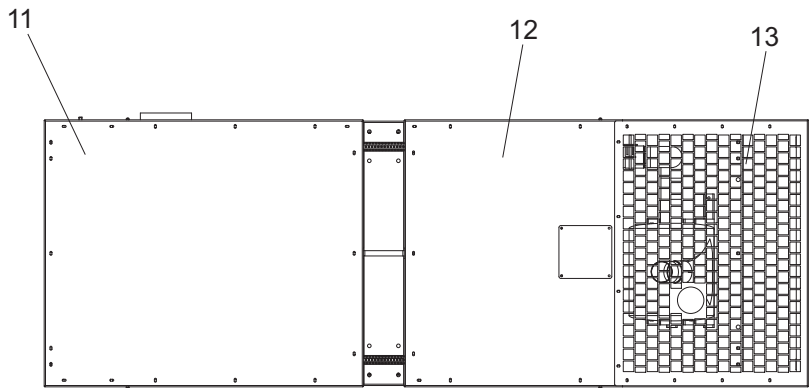
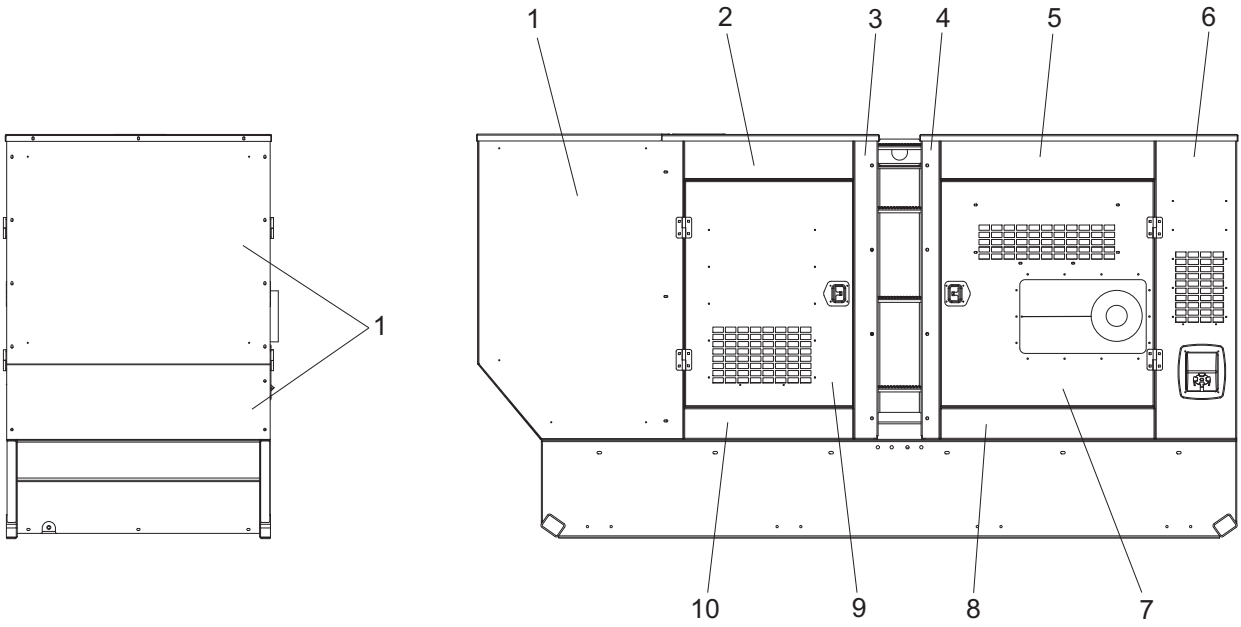
CALIFORNIA PROPOSITION 65 WARNING:

Diesel engine exhaust and some of its constituents are known to the state of California to cause cancer, birth defects and other reproductive harm.

TABLE OF CONTENTS

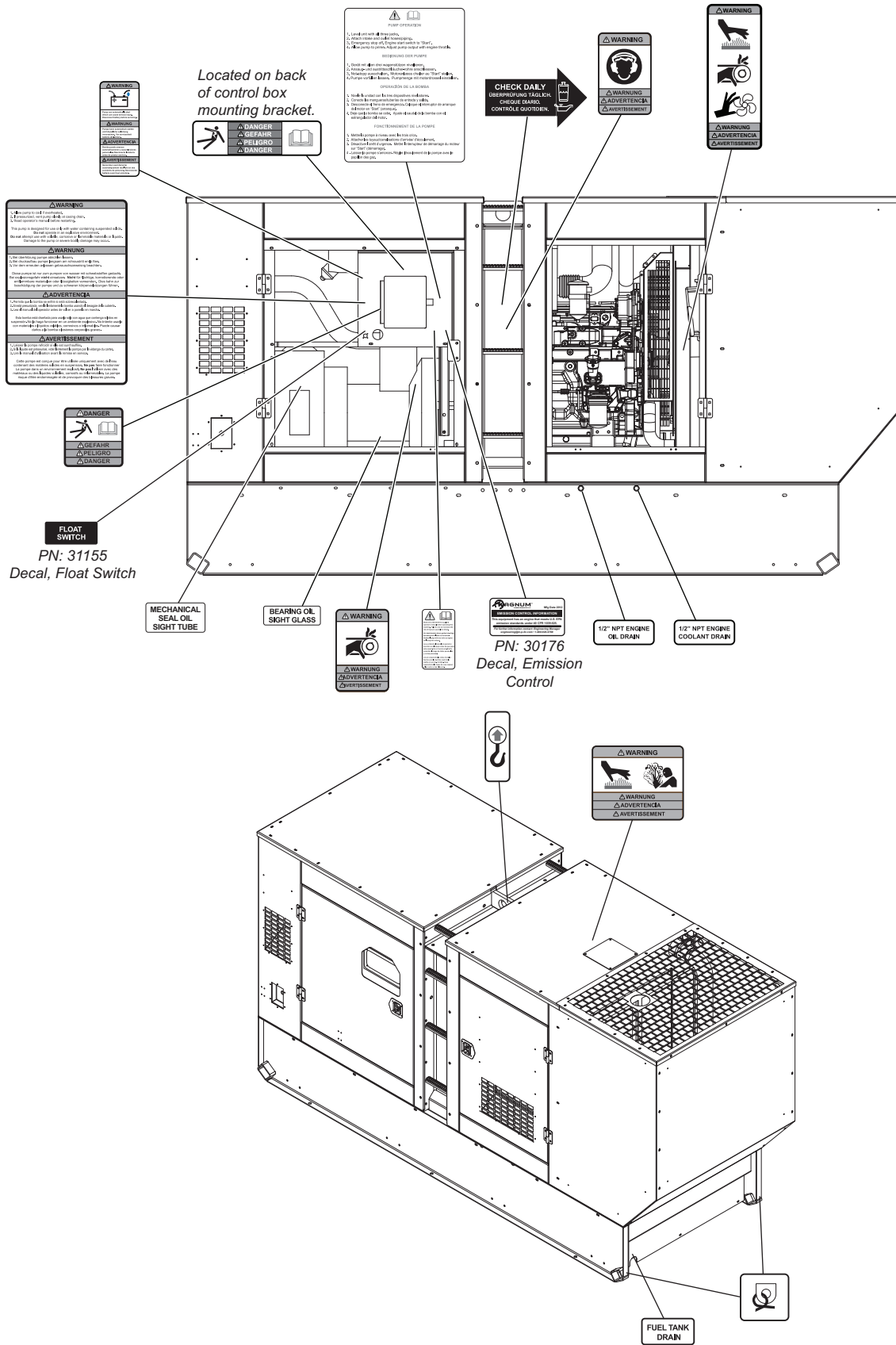
	Page
INTRODUCTION	2
ENCLOSURE PANELS	4
UNIT DECALS	6
FUEL TANK ASSEMBLY	8
SKID ASSEMBLY	10
AIR FILTER ASSEMBLY	12
OIL VAPOR RECIRCULATING SYSTEM	13
EXHAUST SYSTEM ASSEMBLY	14
ENGINE ASSEMBLY	16
ENGINE AND PUMP TO SKID ASSEMBLY	18
COOLING SYSTEM ASSEMBLY	20
COOLING SYSTEM HOSES	22
CONTROL BOX ASSEMBLY	23
CONTROL DOOR ASSEMBLY	24
FRONT PANEL ASSEMBLY	26
REAR PANEL ASSEMBLY	28
LEFT FRONT DOOR ASSEMBLY	30
LEFT REAR DOOR ASSEMBLY	32
LEFT REAR CORNER PANEL ASSEMBLY	34
RIGHT REAR CORNER PANEL ASSEMBLY	36
RIGHT FRONT DOOR ASSEMBLY	38
ROOF ASSEMBLY	40
NOTES	41

ENCLOSURE PANELS



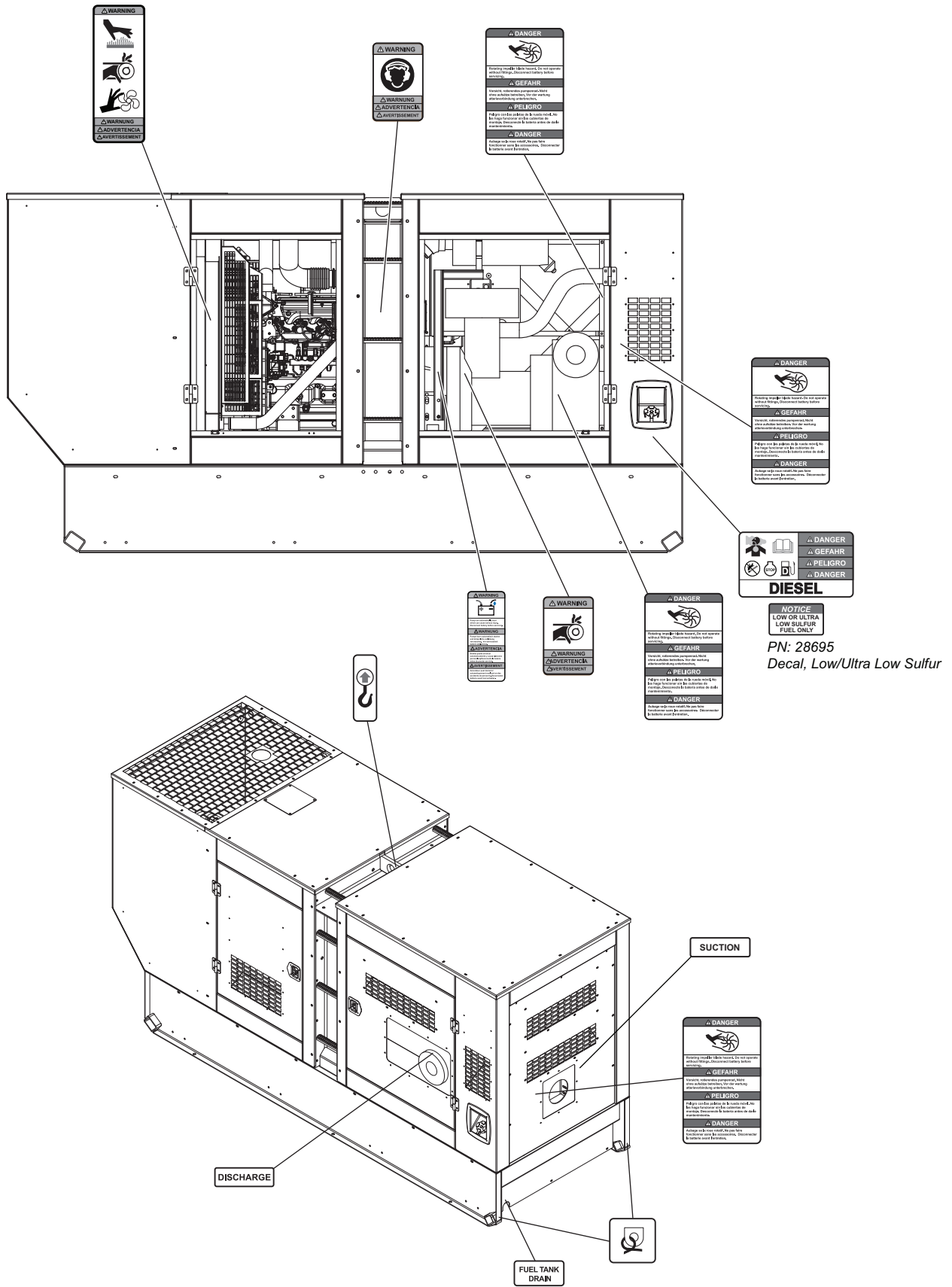
ITEM	PART NO.	QTY	DESCRIPTION	NOTES
1	Page 26	4	Front panel assembly	
2	Page 30	1	Left front door assembly	
3	Page 30	1	Left mid front panel	
4	Page 32	1	Left mid rear panel	
5	Page 32	1	Rear left upper panel	
6	Page 34	1	Left rear corner assembly	
7	Page 32	1	Left rear door assembly	
8	Page 32	1	Lower rear door panel	
9	Page 30	1	Left front door assembly	
10	Page 30	1	Lower front door panel	
11	Page 40	1	Rear roof panel	
12	Page 40	1	Front roof panel	
13	Page 40	1	Roof insert panel	
14	Page 28	1	Front/rear panel	
15	Page 28	1	Rear panel assembly	
16	Page 36	1	Right rear corner panel assembly	
17	Page 24	1	Upper control door panel	
18	Page 38	1	Upper front door panel	
19	Page 38	1	Right front door assembly	
20	Page 38	1	Lower front door assembly	
21	Page 24	1	Lower rear door panel	
22	Page 24	1	Control door assembly	

UNIT DECALS



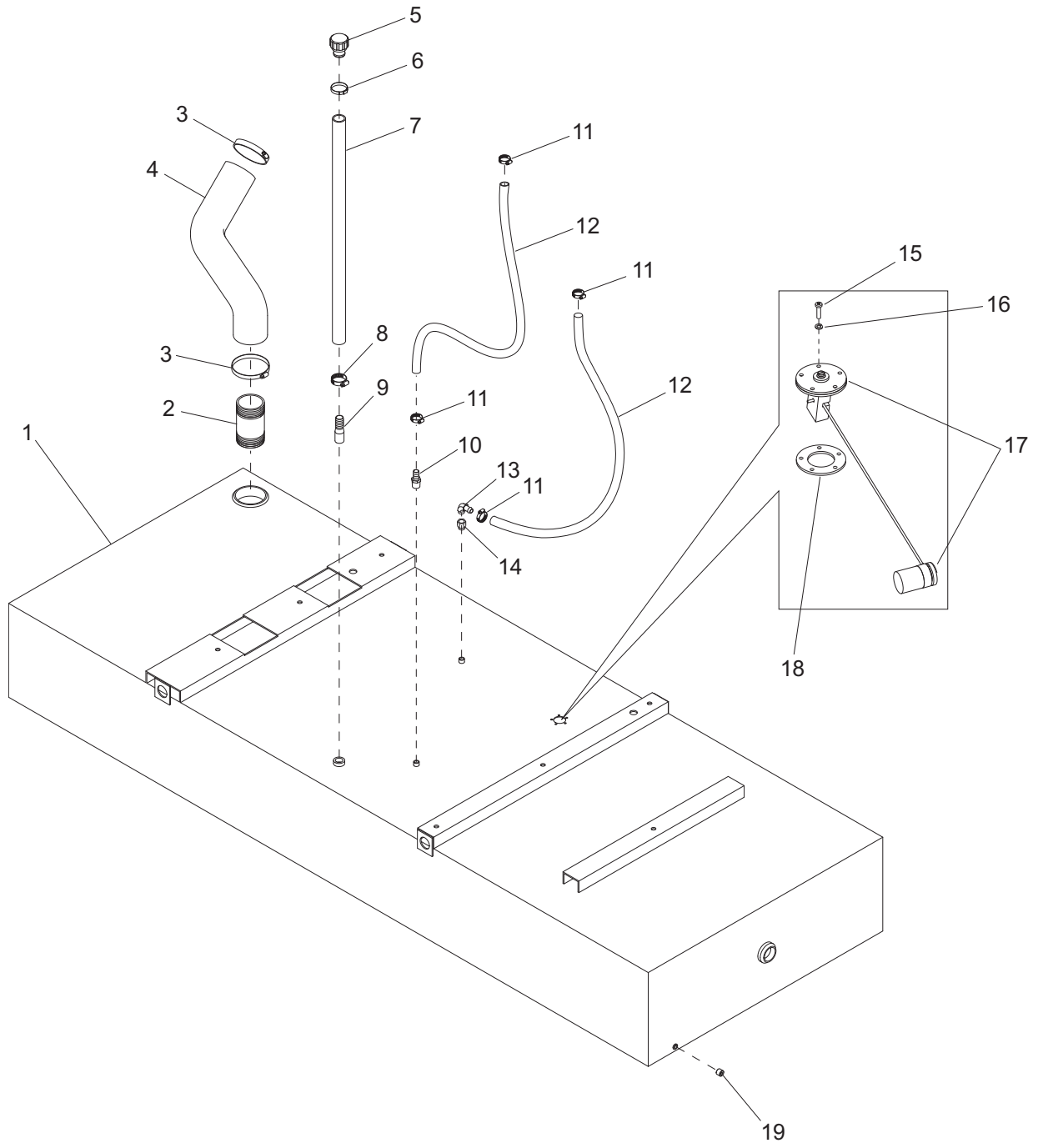
Note: All safety and operating decals shown above are located on decal sheet 32052, unless otherwise noted.

UNIT DECALS (CONTINUED)



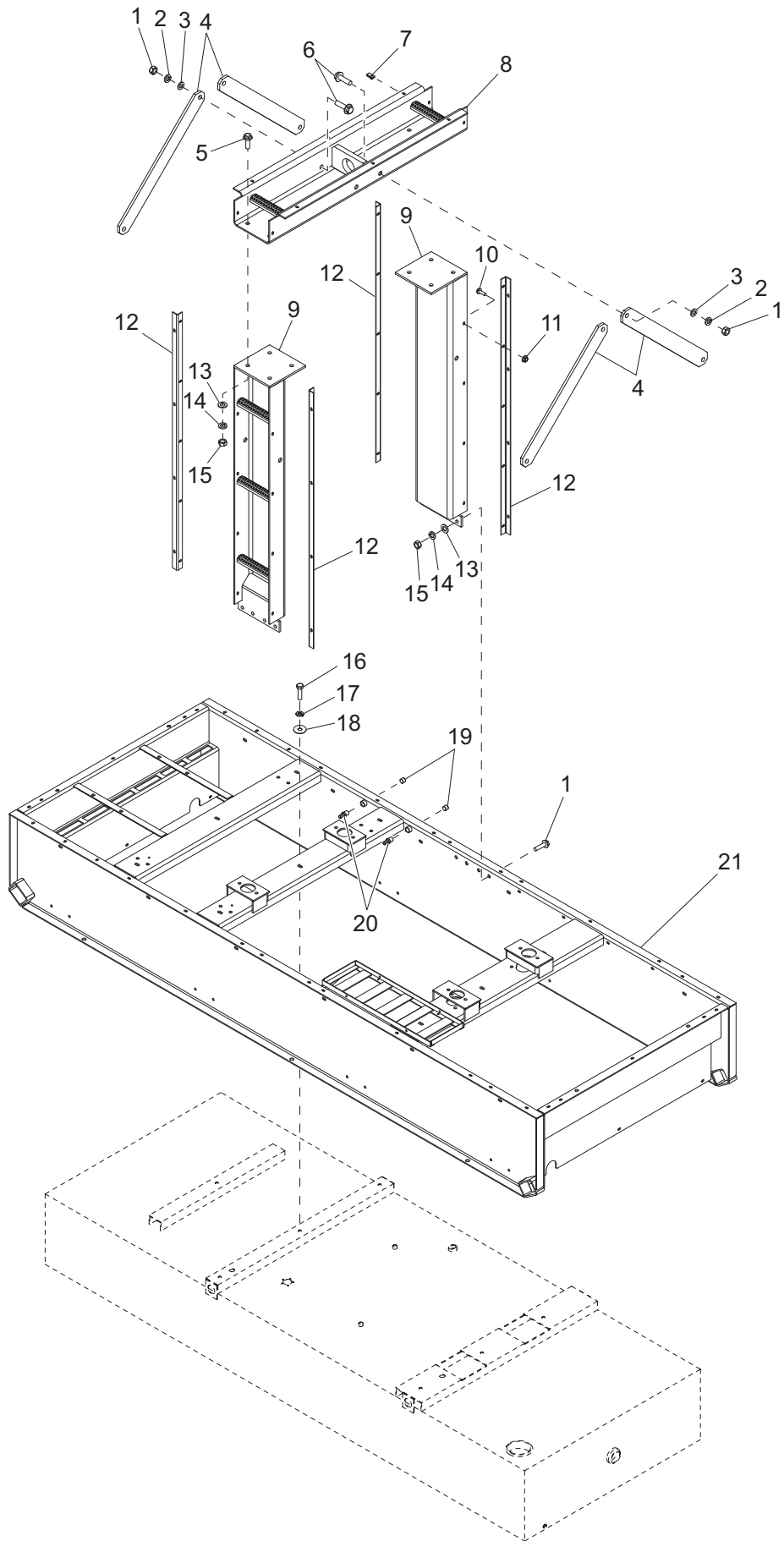
Note: All safety and operating decals shown above are located on decal sheet 32052, unless otherwise noted.

FUEL TANK ASSEMBLY



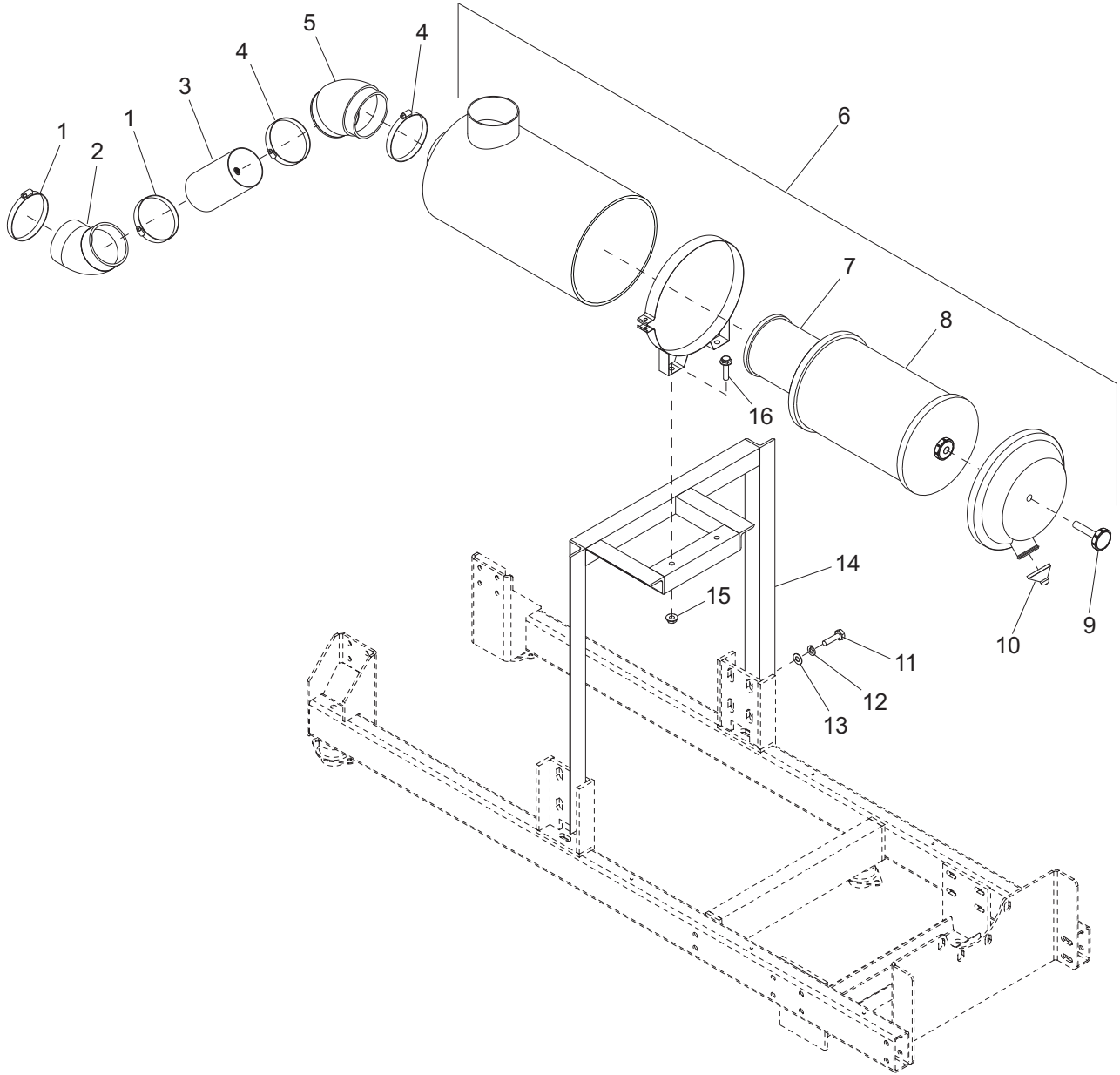
ITEM	PART NO.	QTY	DESCRIPTION	NOTES
1	22104B	1	Tank, fuel - 350 gal	
2	19778	1	Fitting, nipple, pipe - 2.0NPTx4.0	
3	19336	2	Clamp, hose - SAE 044 (2.31-3.25)	
4	18301	1	Hose, fuel fill	
5	26379	1	Vent, plastic fuel - 1.00 ID	
6	62040	1	Clamp, hose - 1.50 fuel hose, crimp style	
7	50019	4 ft	Hose, fuel - 1.00 SAE 20R3	
8	19333	1	Clamp, hose - SAE 016 (.68-1.50)	
9	21451	1	Fitting, strt - 1.0MNPTx1.0 barb	
10	19180	1	Fitting, strt - .375MNPTx.312 barb	
11	60777	4	Clamp, hose - .312 fuel hose, crimp style	
12	50018	6 ft	Hose, fuel - .312 ID, 50 psi, SAE 30R7	
13	15693	1	Fitting, 90° - .250NPTx.312 barb	
14	16270	1	Fitting, strt - .375MNPTx.250FNPT	
15	60062	5	Screw, 10-32x.750 pan phil, G2	
16	60252	5	Washer, #10 split lock	
17	20571	1	Sender, fuel - 10-15 in. tank	
18	22323	1	Gasket, fuel sending unit - mobile	
19	18394	2	Fitting, plug - .500NPT x internal hex	

SKID ASSEMBLY



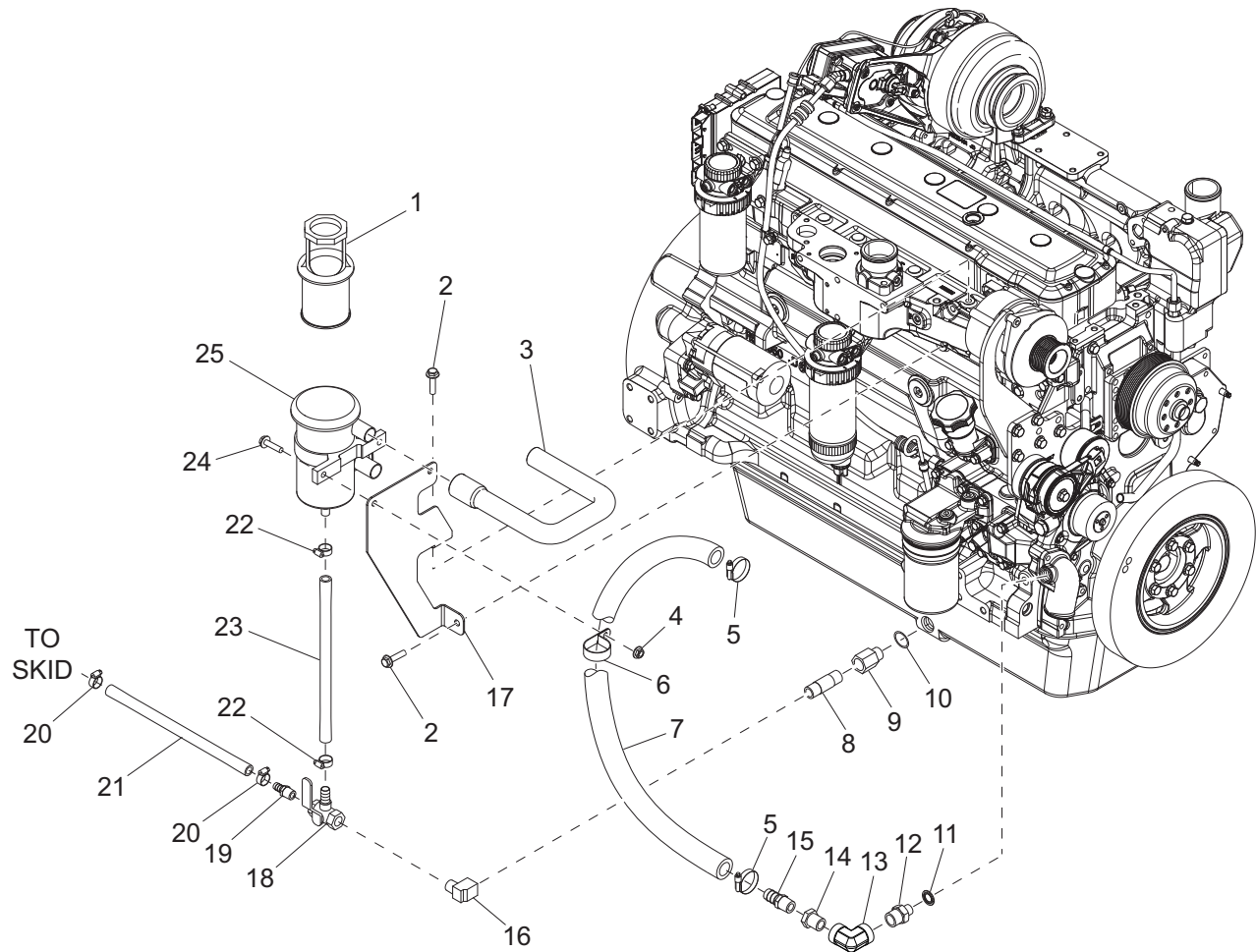
ITEM	PART NO.	QTY	DESCRIPTION	NOTES
1	60249	8	Nut, .750-10 hex, G8	
2	60248	8	Washer, .750 split lock	
3	60081	8	Washer, M20 flat	
4	23611B	4	Plate, gusset	
5	61078	16	Screw, .625-11x2.0 flg hex, G8	
6	63111	8	Screw, .750-10x2.250 flg hex, G8	
7	60505	22	Nut, .312-18 U-clip	
8	29726B	1	Weldment, lift structure - top	
9	29727B	2	Weldment, lift channel - upright	
10	61091	20	Screw, .312-18x1.0 sflg hex, G5	
11	60095	20	Nut, .312-18 sflg	
12	29866B	4	Bracket, lift structure - side	
13	60193	16	Washer, M16 flat	
14	60194	16	Washer, M16 split lock	
15	60520	16	Nut, .625-11 hex, G8	
16	60323	7	Screw, .375-16x1.5 std hex, G8	
17	60206	7	Washer, .375 split lock	
18	60729	7	Washer, .375 fender, 1.50/.090	
19	18394	2	Fitting, plug - .500NPT x internal hex	
20	60502	2	Fitting, strt-.500MNPTx.625 barb, brs	
21	30819B	1	Weldment, skid	

AIR FILTER ASSEMBLY



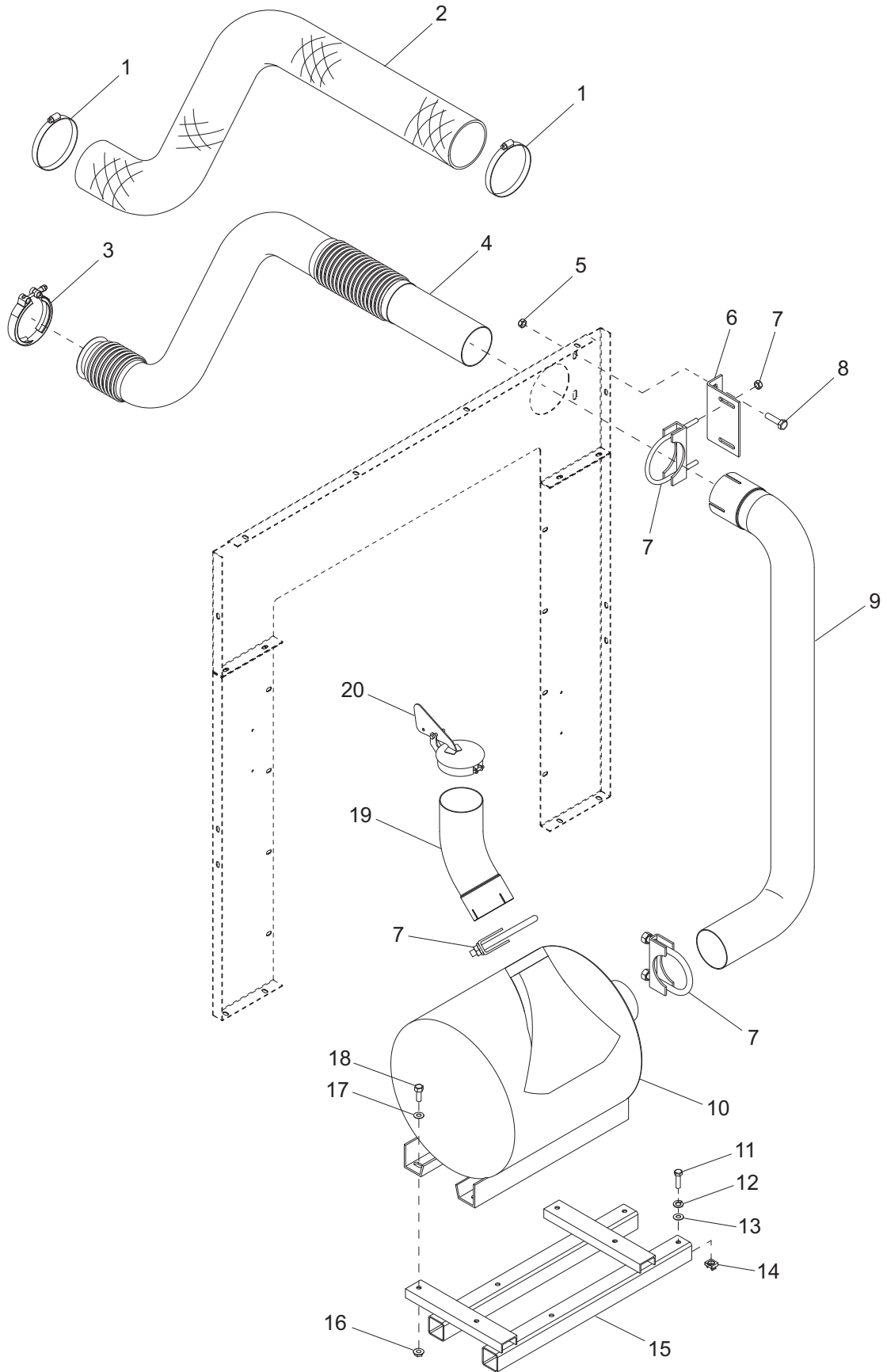
ITEM	PART NO.	QTY	DESCRIPTION	NOTES
1	19842	2	Clamp, hose - SAE 072 (4.06-5.00)	
2	22286	1	Elbow, 45° - 4.0 ID molded rubber	
3	26554B	1	Weldment, air filter tube - 175/235	
4	20182	2	Clamp, hose - SAE 088 (4.09-6.00)	
5	22225	1	Elbow, 45° - 5.0-4.0 ID molded rubber	
6	22118	1	Filter, air	
7	27274	1	Element, air filter - safety	
8	22328	1	Element, air filter	
9	26650	1	Knob, air filter housing end cover	
10	22330	1	Cap, dust - filter engineaire	
11	60498	8	Screw, M16-2.00x40 std hex G10.9	
12	60193	8	Washer, M16 flat	
13	60194	8	Washer, M16 split lock	
14	31138B	1	Weldment, air filter bracket	
15	60145	2	Nut, .375-16 sflg lock, G5	
16	60517	2	Screw, .375-16x1.0 sflg hex	

OIL VAPOR RECIRCULATING SYSTEM



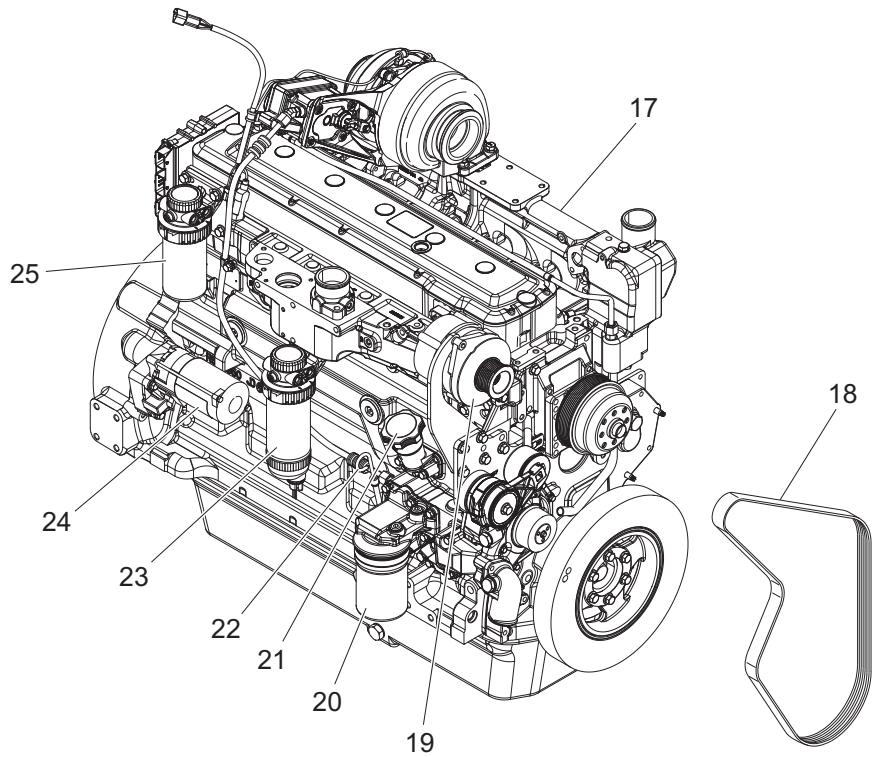
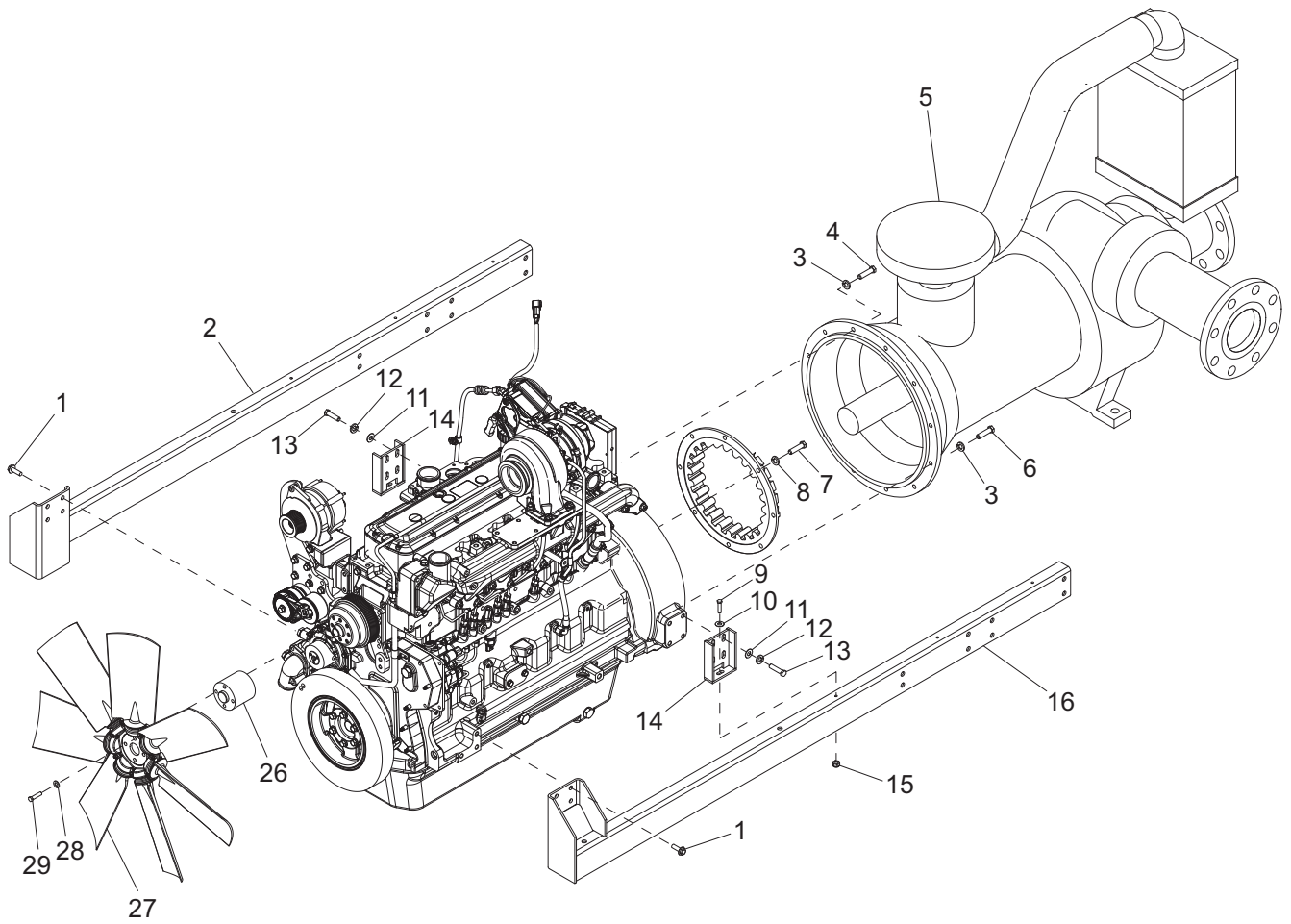
ITEM	PART NO.	QTY	DESCRIPTION	NOTES
1	24552	1	Filter, oil recirculation	
2	60018	2	Screw, sflg hex, G10.9	
3	24170	1	Hose, OCV vent	
4	60095	2	Nut, .312-18 sflg, G5	
5	62245	2	Clamp, hose - constant torque .813-1.75	
6	60716	1	Clamp, tubing - 1.50 lt duty	
7	50169	3.5 ft	Hose, 1.0 in. Goodyear Wingfoot 300, class A	
8	40932	1	Fitting, nipple, pipe - .500NPTx2.00, brs	
9	19307	1	Fitting, strt - .500FNPTxM22x1.50, brs	
10	19467	1	Seal, M22	
11	19466	1	Seal, M18	
12	19257	1	Fitting, strt - .500MNPTxM18 O-ring seal	
13	22462	1	Fitting, 90° - .500FNPTx.500FNPT, brs	
14	25496	1	Fitting, strt - .750MNPTx1.0 barb, brs	
15	22461	1	Fitting, strt - .500MNPTx.750FNPT, brs	
16	60998	1	Fitting, 90° - .500MNPTx.500FNPT, brs	
17	26551B	1	Bracket, OCV system	
18	61165	1	Valve, ball - .500NPTfx.50 hose, barb	
19	60502	1	Fitting, strt - .500MNPTx.625 barb, brs	
20	60365	2	Clamp, hose - SAE 010 (.56-1.06)	
21	50201	1.5 ft	Hose, .625 Horizon, 200 psi, class A	
22	60365	2	Clamp, hose - SAE 010 (.56-1.06)	
23	50051	1.66 ft	Hose, fuel - .375 ID, 50 psi, SAE 30R7	
24	60516	2	Screw, .312-18x1.25 sflg hex	
25	24318	1	Kit, oil recirculation	

EXHAUST SYSTEM ASSEMBLY



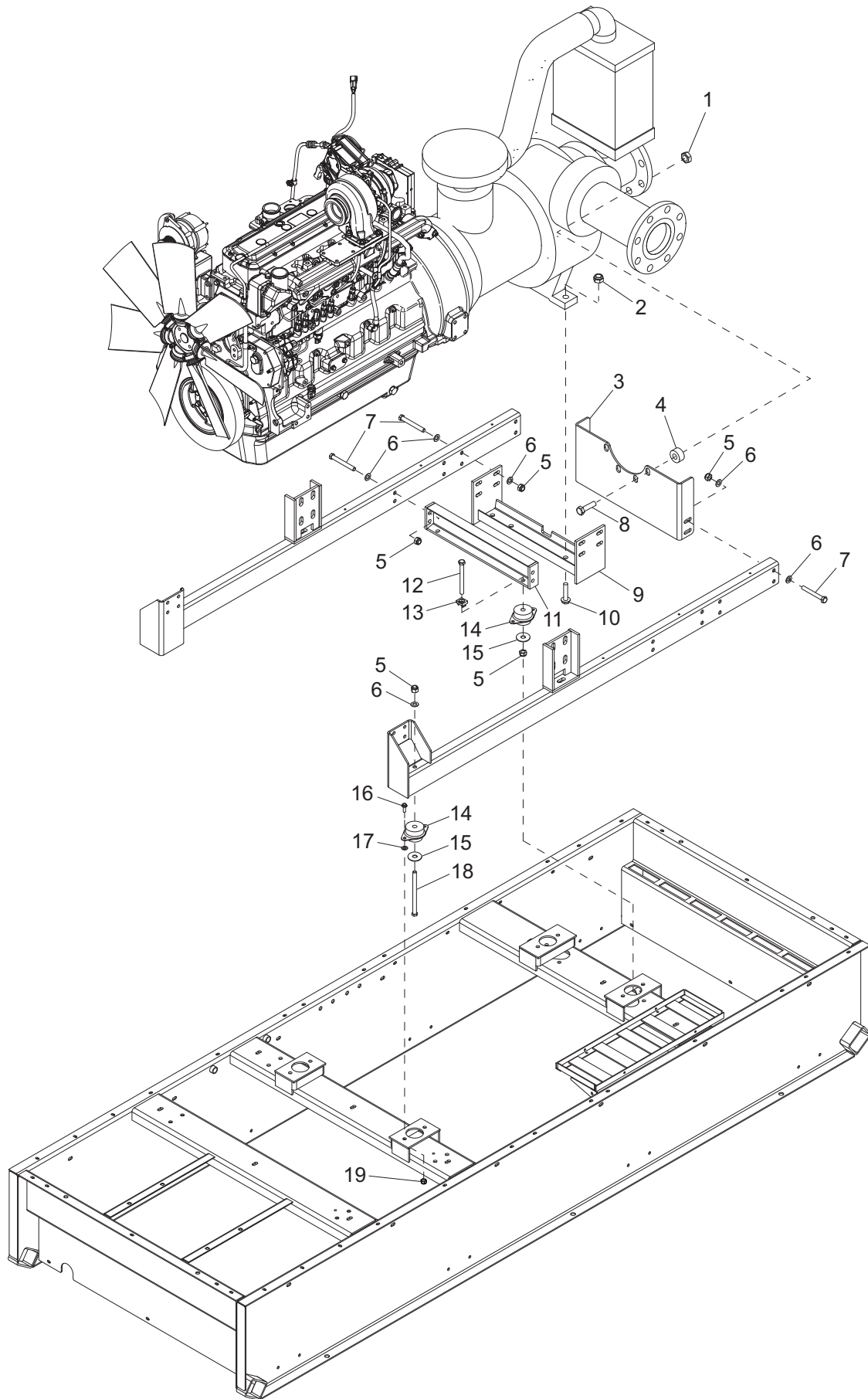
ITEM	PART NO.	QTY	DESCRIPTION	NOTES
1	19842	2	Clamp, hose - SAE 072 (4.06-5.00)	
2	26481	6.2 ft	Sleeve, high temp - 5.00	
3	18820	1	Clamp, V-band - 4.00/4.33 OD	
4	26381	1	Pipe, exhaust	
5	60679	2	Nut, .375-16 hex, SS	
6	26668B	1	Bracket, muffler pipe support	
7	18822	3	Clamp, muffler - 4.00	
8	61036	2	Screw, .375-16x1.25 std hex, SS	
9	22154	1	Pipe, exhaust down	
10	21848	1	Muffler, 4.00 - cowl	
11	61046	4	Screw, .312-18x2.75 std hex, SS	
12	60271	4	Washer, .312 split lock	
13	60119	4	Washer, .312 flat .875/.070	
14	15425	4	Nut, .312-18 cage	
15	31859B	1	Weldment, muffler mount	
16	60358	4	Nut, .375-16 nylock, G5	
17	60386	4	Washer, .375 flat .993/.064	
18	60352	4	Screw, .375-16x1.25 std hex, G5	
19	21851	1	Pipe, exhaust up - 4.00 in	
20	21090	1	Cap, rain - 4.00 in	

ENGINE ASSEMBLY



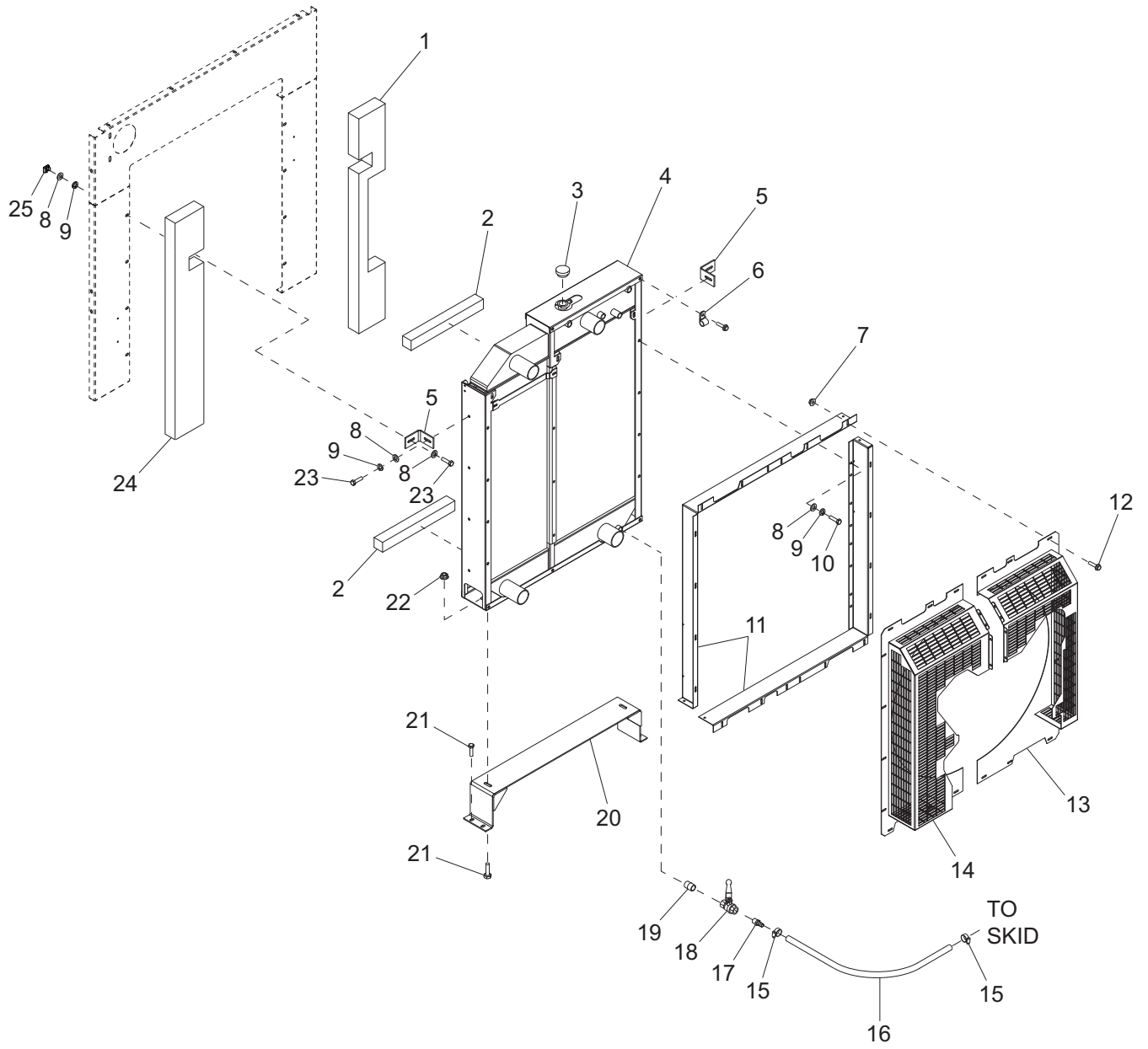
ITEM	PART NO.	QTY	DESCRIPTION	NOTES
1	60072	6	Screw, M12-1.75x25 sflg hex, G10.9	
2	30773B	1	Weldment, engine support - RH	
3	60011	12	Washer, M12 split lock	
4	60474	2	Screw, .437-14x1.750 std hex, G8	
5	49963	1	Pump, trash - 6.00 in/4.00 out, dry prime	
6	31854	10	Screw, .437-14x1.25 std hex, G8	
7	60205	8	Screw, .375-16x1.0 std hex, G5	
8	60206	8	Washer, .375 split lock	
9	61104	2	Screw, .500-13x5.50 std hex, G8	
10	60309	2	Washer, .500 flat 1.060/.090	
11	60193	8	Washer, M16 flat	
12	60194	8	Washer, M16 split lock	
13	60489	8	Screw, M16-2.0x40 std hex G10.9	
14	31838B	2	Weldment, rear engine mount	
15	60307	2	Nut, .500-13 nylock, G2	
16	30774B	1	Weldment, engine support - LH	
17	30260	1	Engine, Deere 6068HF485 IT4 flex, 275 hp	
18	26596	1	Belt, fan/alternator	
19	23346	1	Alternator, 4045TF275	
20	22378	1	Filter, oil - 4045TF	
21	22375	1	Cap, engine oil fill (w/gasket)	
22	26600	1	Dipstick, oil fill	
23	26597	1	Filter, fuel - primary	
24	24282	1	Starter, engine	
25	26236	1	Filter, fuel	
26	31129	1	Spacer, fan	
27	26836	1	Fan, engine - 31" (235T3)	
28	60027	4	Washer, M10 flat	
29	63162	4	Screw, M10-1.50x100 std hex, G10.9	

ENGINE AND PUMP TO SKID ASSEMBLY



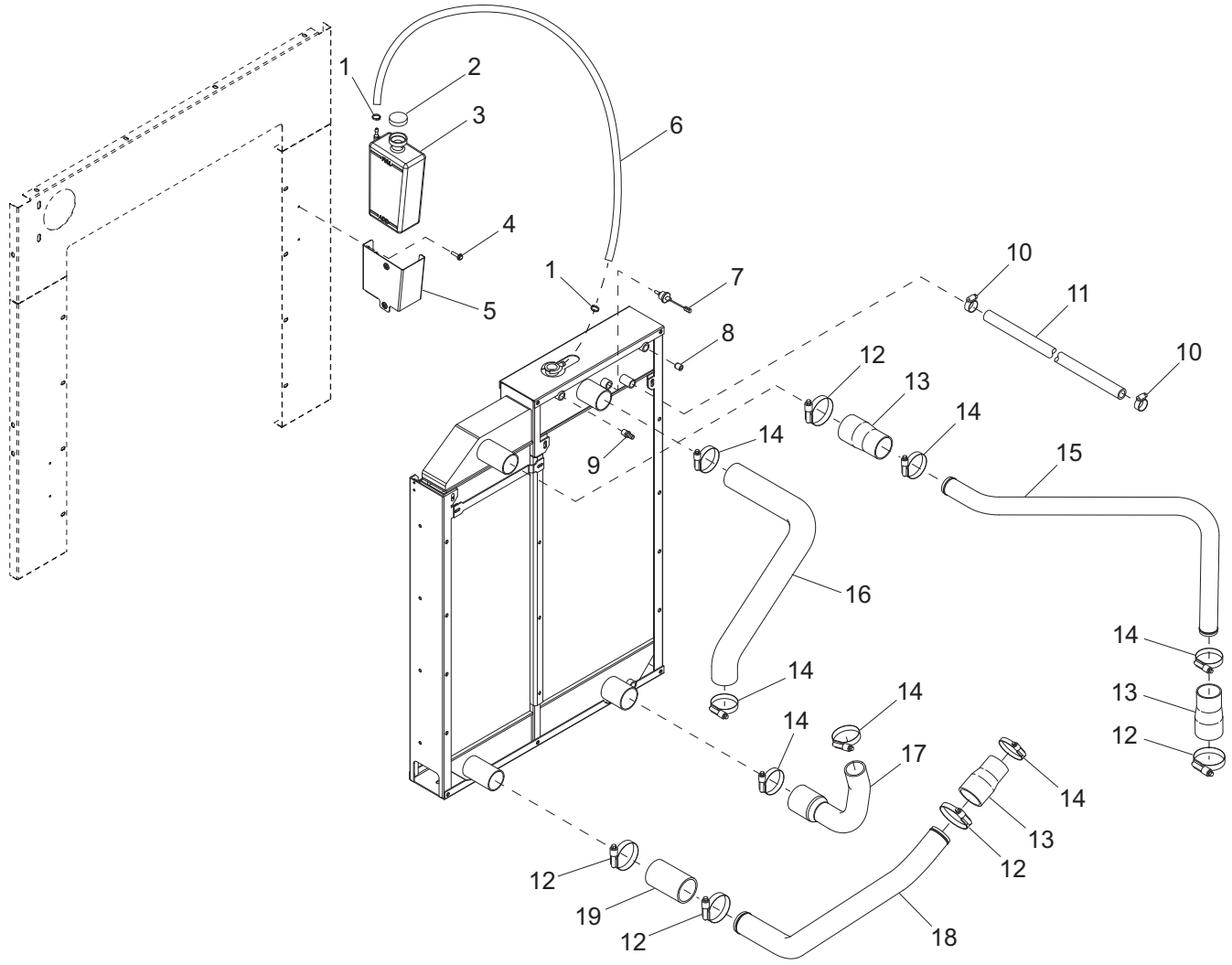
ITEM	PART NO.	QTY	DESCRIPTION	NOTES
1	61077	4	Nut, .750-10 jam, G2	
2	60240	2	Nut, .625-11 nylock, G5	
3	30863B	1	Bracket, pump inlet support	
4	31987B	4	Spacer - 2.00 ODx.875 IDx1.00 long	
5	60307	20	Nut, .500-13 nylock, G2	
6	60309	32	Washer, .500 flat 1.060/.090	
7	60390	16	Screw, .500-13x3.50 std hex, G5	
8	63202	4	Screw, .750-10x3.50 std hex, G5	
9	30777B	1	Weldment, pump support	
10	61070	2	Screw, .625-11x2.750 std hex, G5	
11	30793B	1	Weldment, pump support	
12	50215	2	Screw, .500-13x4.0 std hex, G5	
13	42811	2	Washer, .500 bevel	
14	18084	4	Isolator, rubber 840/560 lbs	
15	60416	4	Washer, .500 flat 1.375/.090	
16	60205	8	Screw, .375-16x1.00 std hex, G5	
17	60119	8	Washer, .312 flat .875/.070	
18	63236	2	Screw, .500-13x8.0 std hex, G5	
19	60358	8	Nut, .375-16 nylock, G5	

COOLING SYSTEM ASSEMBLY



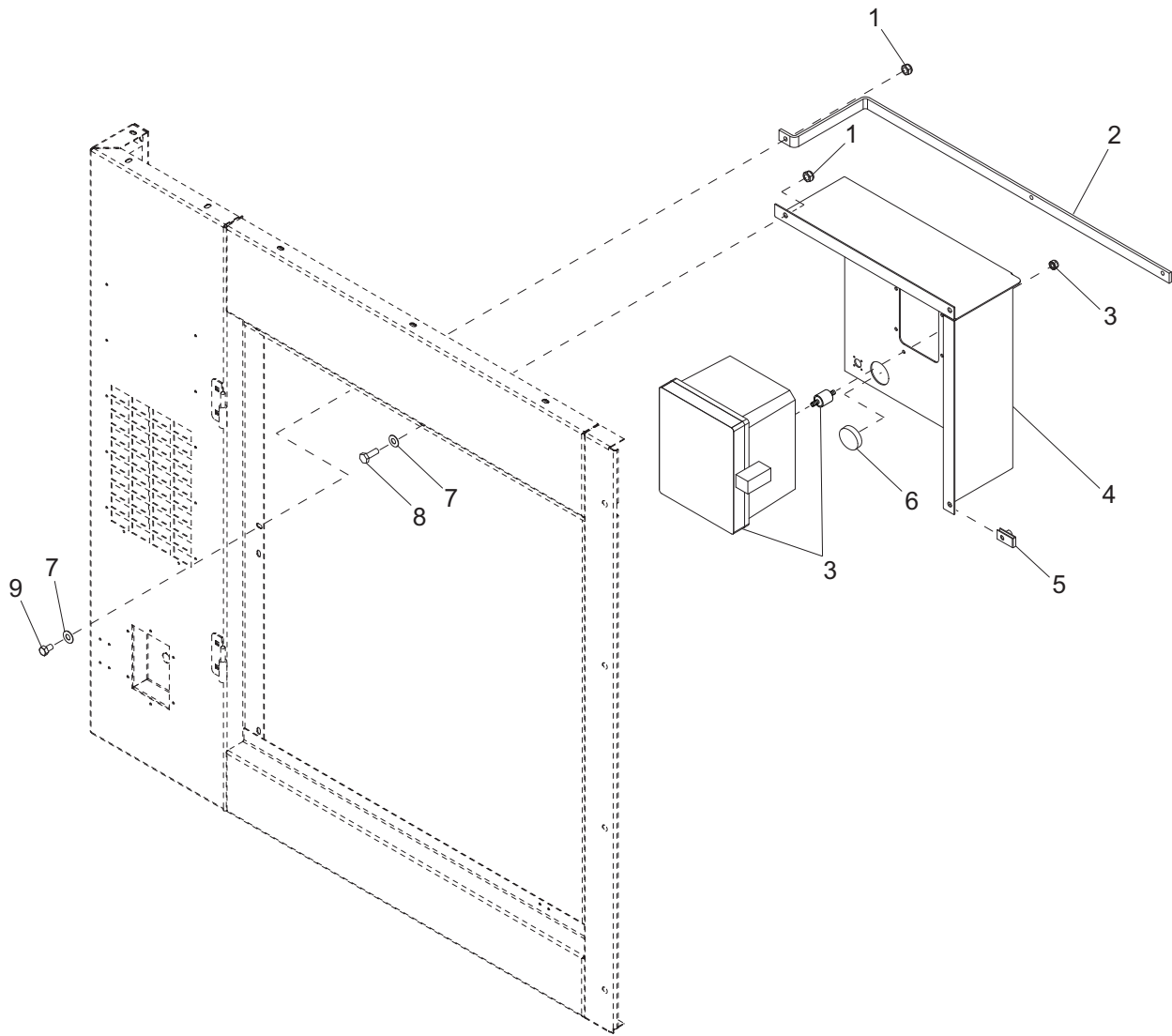
ITEM	PART NO.	QTY	DESCRIPTION	NOTES
1	23404	1	Foam panel, radiator - right	
2	28916	2	Foam panel, radiator	
3	19219	1	Cap, radiator pressure small - 14.7 psi	
4	29762	1	Radiator, T3	
5	21920B	2	Bracket, upper radiator (125-230A)	
6	60649	1	Clamp, tubing - .750 heavy duty	
7	60145	26	Nut, .375-16 sflg, G5	
8	60119	14	Washer, .312 flat .875/.070	
9	60271	12	Washer, .312 split lock	
10	60028	8	Screw, .312-18x1.0 std hex, G5	
11	31132B	2	Shroud, radiator	
12	60451	26	Screw, .375-16x.625 flg hex	
13	26839B	1	Weldment, fan guard - RH	
14	26838B	1	Weldment, fan guard - LH	
15	60365	2	Clamp, hose - SAE 010 (.56-1.06)	
16	50201	1.5 ft	Hose, .625 Horizon - 200 psi, class A	
17	60502	1	Fitting, strt - .500MNPTx.625 barb, brs	
18	19279	1	Valve, ball .500NPTF	
19	60438	1	Fitting, nipple, pipe - .500NPT x close	
20	22236B	1	Weldment, radiator support	
21	60517	6	Screw, .375-16x1.0 sflg hex	
22	60145	2	Nut, .375-16 sflg lock, G5	
23	61061	4	Screw, .312-18x.875 std hex, G5	
24	23403	1	Foam panel, radiator - left	
25	15425	2	Nut, .312-18 cage	

COOLING SYSTEM HOSES



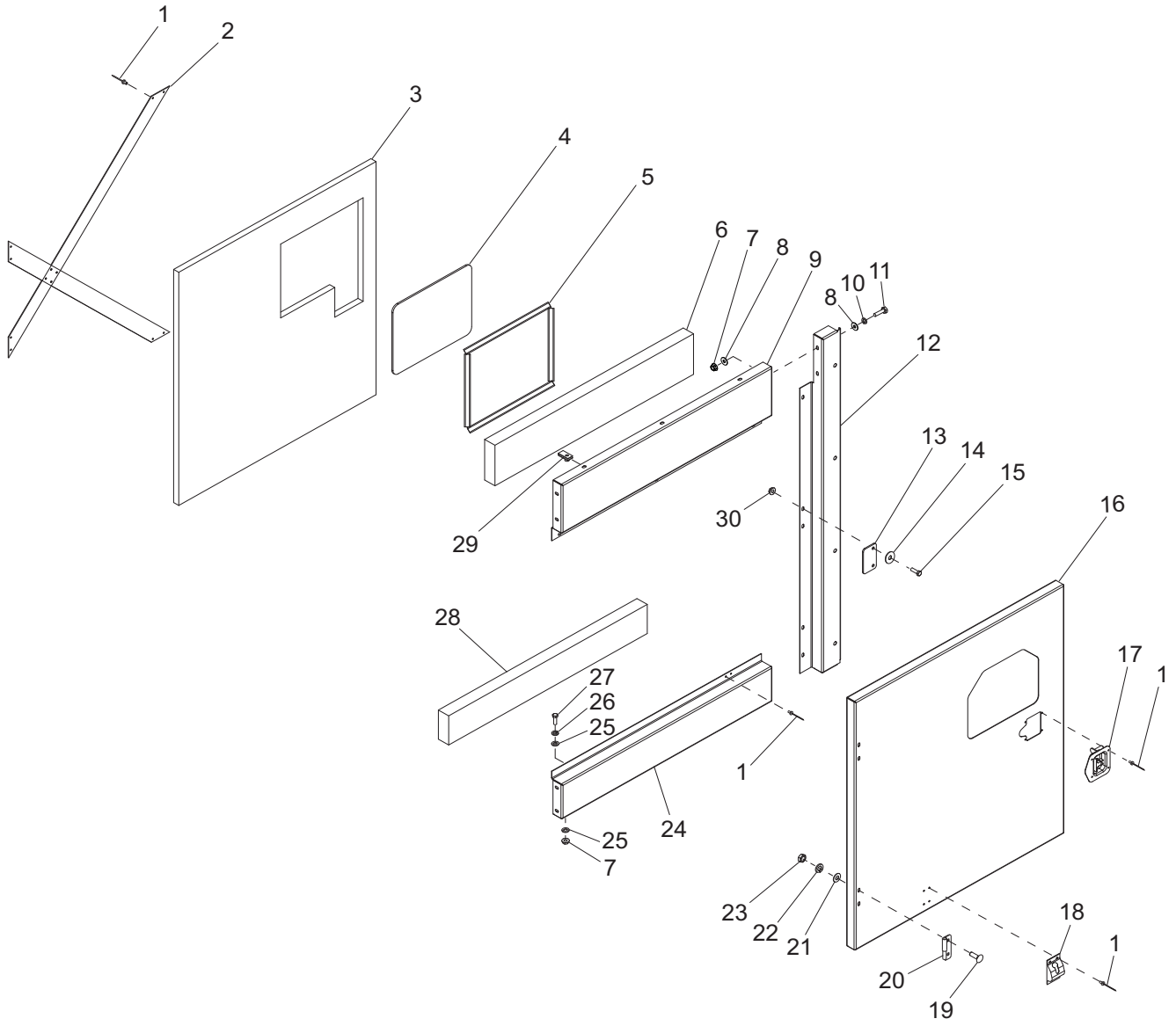
ITEM	PART NO.	QTY	DESCRIPTION	NOTES
1	63192	2	Clamp, crimping band - .464 in	
2	19714	1	Cap, overflow jug	
3	24952	1	Jug, overflow - 2.5 qt	
4	60175	2	Screw, .250-20x.50 sflg hex, G5	
5	26211B	1	Bracket, overflow jug	
6	50018	5.25 ft	Hose, fuel - .312 ID, 50 psi	
7	65592	1	Sensor, low coolant	
8	18394	1	Fitting, plug - .500NPT x internal hex	
9	60999	1	Fitting, strt - .500MNPTx.312 barb, brass	
10	62245	2	Clamp, hose - constant torque .813-1.75	
11	50169	4 ft	Hose, 1.0 in. - Goodyear Wingfoot 300, class A	
12	60666	5	Clamp, hose - constant torque - 2.25-3.125	
13	22060	3	Hose, CAC - 2.00-2.50x4.00	
14	60660	7	Clamp, hose - constant torque - 1.75-2.625	
15	26450	1	Pipe, CAC in	
16	26449	1	Hose, radiator - upper	
17	23507	1	Hose, radiator - lower	
18	22456	1	Pipe, CAC out	
19	28541	1	Hose, CAC - 2.50x 4.00	

CONTROL BOX ASSEMBLY



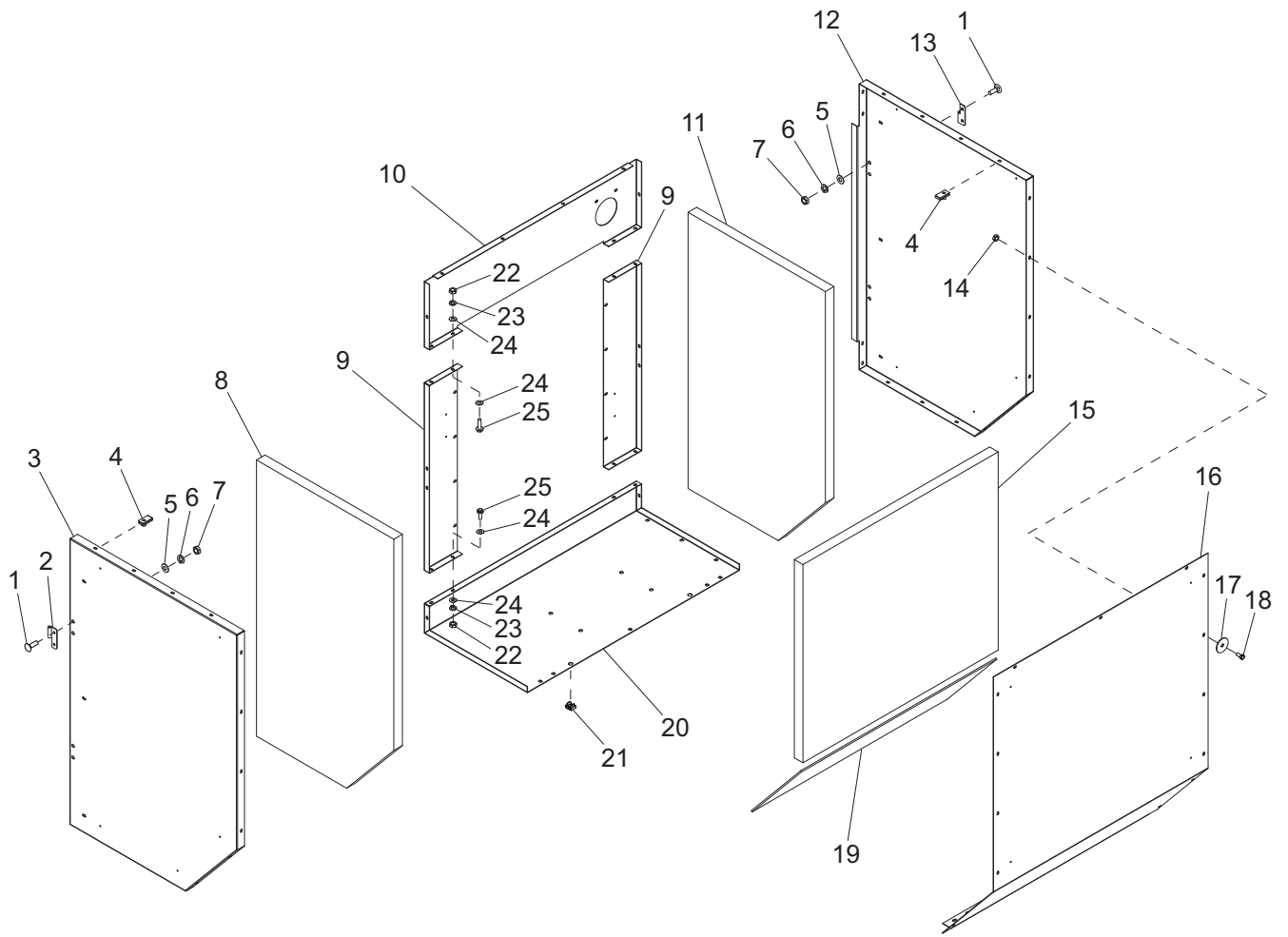
ITEM	PART NO.	QTY	DESCRIPTION	NOTES
1	60303	5	Nut, .312-18 nylock, G2	
2	31876B	1	Bracket, control box mounting	
3	49489	1	Control box assy - w/controller	
4	30869B	1	Bracket, control box mounting	
5	60505	1	Nut, .312-18 U-clip	
6	60861	1	Plug, hole .875 dia.	
7	60119	2	Washer, .312 flat .875/.070	
8	60507	2	Screw, .312-18x1.0 std hex, SS	
9	60149	3	Screw, .312-18x.500 std hex, G5	

CONTROL DOOR ASSEMBLY



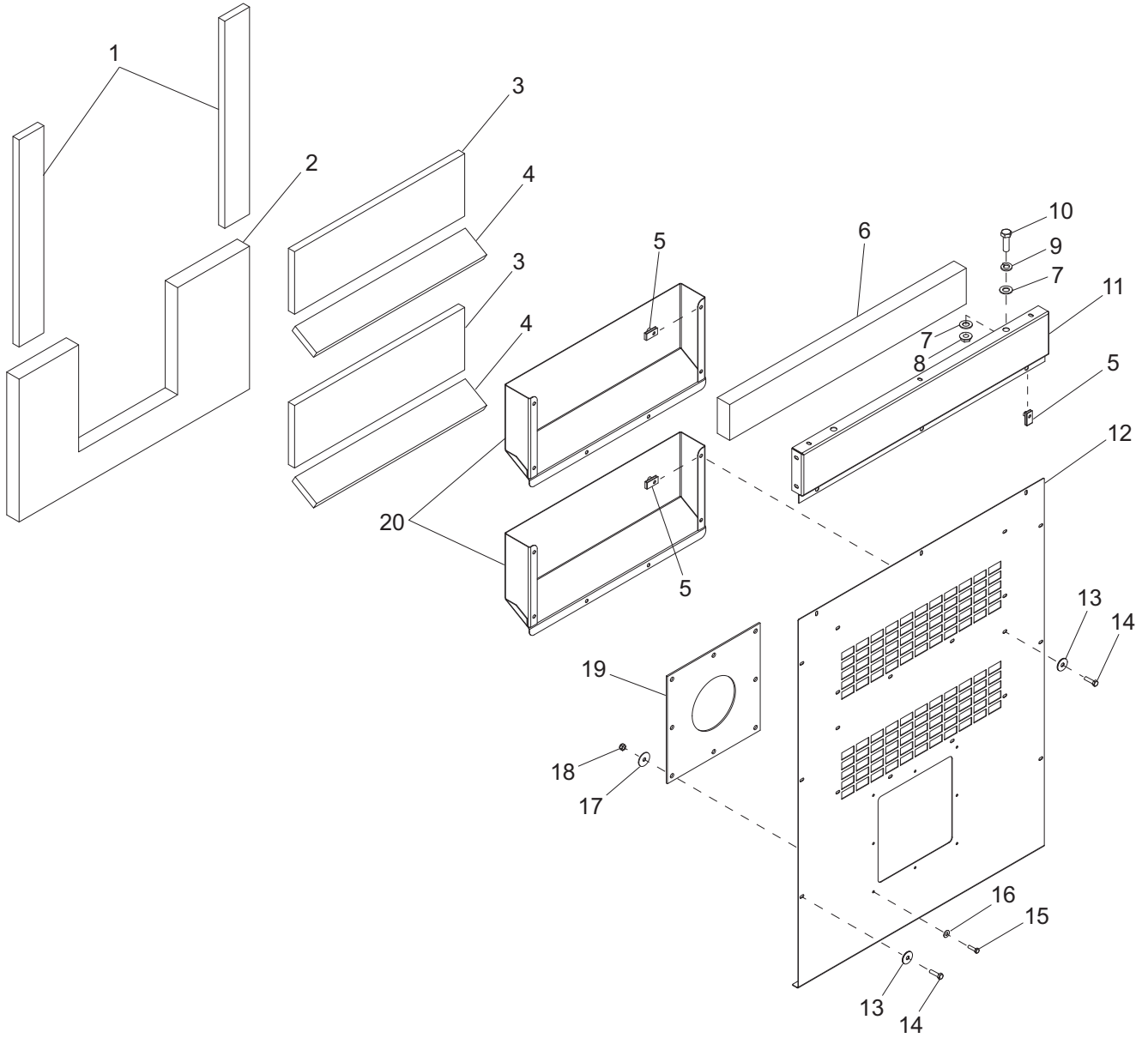
ITEM	PART NO.	QTY	DESCRIPTION	NOTES
1	60268	32	Rivet, .188 dia. x .126 to .250, SS	
2	22278B	2	Brace, control door	
3	27542	1	Foam panel, control door	
4	21477	1	Window, control door	
5	50192	4.58 ft	Tape, .5 in. double-sided	
6	22181	1	Foam panel, upper rear door	
7	60095	7	Nut, .312-18 sflg	
8	60119	8	Washer, .312 flat - .875/.070	
9	22136NS	1	Panel, control door - upper	
10	60271	4	Washer, .312 split lock	
11	60028	4	Screw, .312-18x1.0 std hex, G5	
12	32064NS	1	Panel, right mid rear	
13	26165B	1	Plate, door latch	
14	60119	2	Washer, .312 flat .875/.070	
15	60149	2	Screw, .312-18x.500 std hex, G5	
16	29907NS	1	Door, control	
17	22497	1	Latch, T-handle - lft cw lock	
18	62225	1	Latch, door - stainless cable w/ball	
19	61066	4	Screw, .312-18x1.0 carr sqr, SS	
20	18459	2	Hinge, left (male)	
21	60243	4	Washer, .250 flat - .735/.060	
22	60271	4	Washer, .312 split lock	
23	60285	4	Nut, .312-18 hex, G2	
24	22137NS	1	Panel, rear door - lower	
25	60340	6	Washer, .312 flat - .875/.040, SS	
26	60701	3	Washer, .312 split lock, SS	
27	60507	3	Screw, .312-18x1.0 std hex, SS	
28	22182	1	Foam panel, lower rear door	
29	60505	4	Nut, .312-18 U-clip	
31	60303	2	Nut, .312-18 nylock, G2	
--	50187	3	Seal, door D-shaped (.750)	Panels 22136NS, 32064NS, 22137NS

FRONT PANEL ASSEMBLY



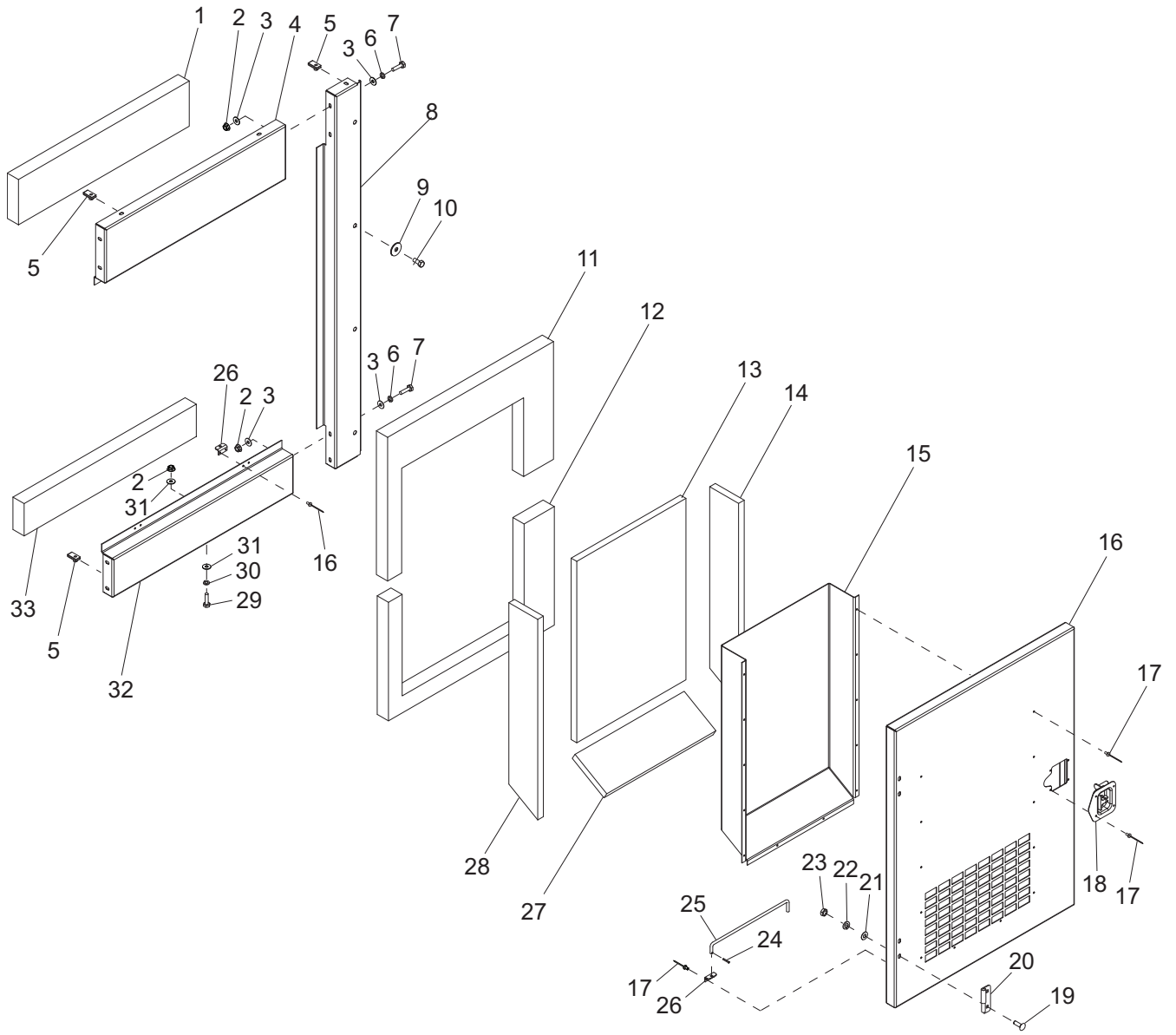
ITEM	PART NO.	QTY	DESCRIPTION	NOTES
1	61066	8	Screw, .312-18x1.0 carr sqr, SS	
2	18460	2	Hinge, upper right (female)	
3	29700NS	1	Panel, right front corner	
4	60505	23	Nut, .312-18 U-clip	
5	60243	8	Washer, .250 flat - .735/.060	
6	60271	8	Washer, .312 split lock	
7	60285	8	Nut, .312-18 hex, G2	
8	29930	1	Foam panel, right front corner	
9	29849B	2	Panel, side bulkhead	
10	32062B	1	Panel, upper bulkhead	
11	29931	1	Foam panel, left front corner	
12	29699NS	1	Panel, left front corner	
13	18462	2	Hinge, upper left (female)	
14	60095	12	Nut, .312-18 sflg	
15	29936	1	Foam panel, front top	
16	29768NS	1	Panel, front	
17	60452	12	Washer, .313 flat - 1.125/1.0, SS	Bonded rubber
18	60507	12	Screw, .312-18x1.00 std hex, SS	
19	29937	1	Foam panel, front lower	
20	29848B	1	Panel, lower bulkhead	
21	60657	11	Nut, .375-16 cage, G5	
22	60285	8	Nut, .312-18 hex, G2	
23	60271	8	Washer, .312 split lock	
24	60119	16	Washer, .312 flat .875/.070	
25	60028	8	Screw, .312-18x1.00 std hex, G5	

REAR PANEL ASSEMBLY



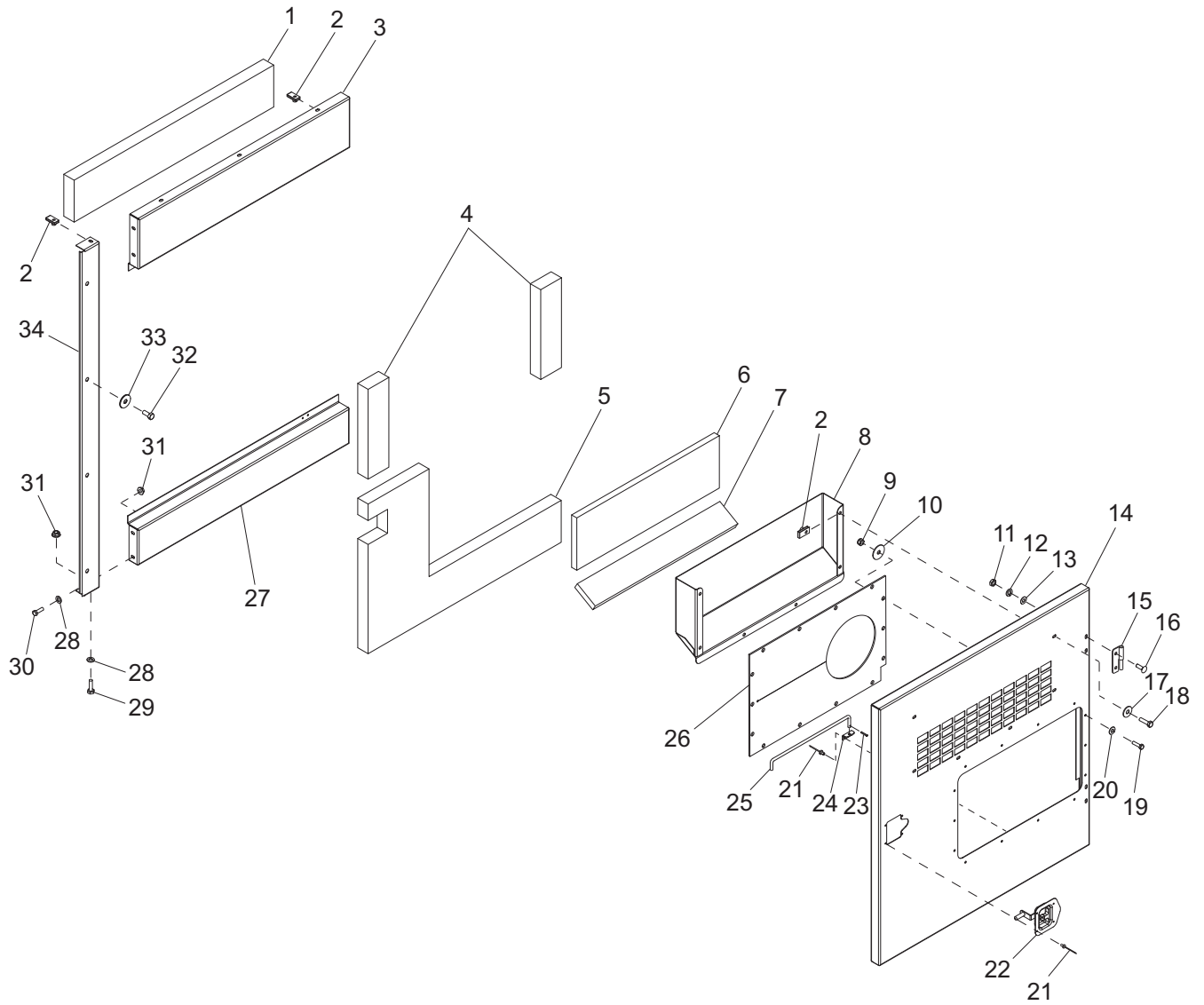
ITEM	PART NO.	QTY	DESCRIPTION	NOTES
1	31826	2	Foam panel, rear panel sides	
2	31824	1	Foam panel, rear panel lower	
3	31827	2	Foam panel, rear duct back	
4	31831	2	Foam panel, rear duct bottom	
5	60505	12	Nut, .312-18 U-clip	
6	22178	1	Foam panel - front/rear - small panel	
7	60119	4	Washer, .312 flat - .875/.070	
8	60095	2	Nut, .312-18 sflg	
9	60271	2	Washer, .312 split lock	
10	60028	2	Screw, .312-18x1.0 std hex, G5	
11	22064NS	1	Panel, small - front/rear	
12	30713NS	1	Panel, rear	
13	60452	21	Washer, .313 flat - 1.125/1.0, SS	Bonded rubber
14	60507	21	Screw, .312-18x.750 std hex, G5	
15	60684	8	Screw, .250-20x.875 std hex, SS	
16	60696	8	Washer, .250 flat - .625/.050, SS	
17	60089	8	Washer, .265 fender - 1.25/.060	
18	60144	8	Nut, .250-20 nylock, G5	
19	31159	1	Rubber seal	
20	30874NS	2	Duct, air	

LEFT FRONT DOOR ASSEMBLY



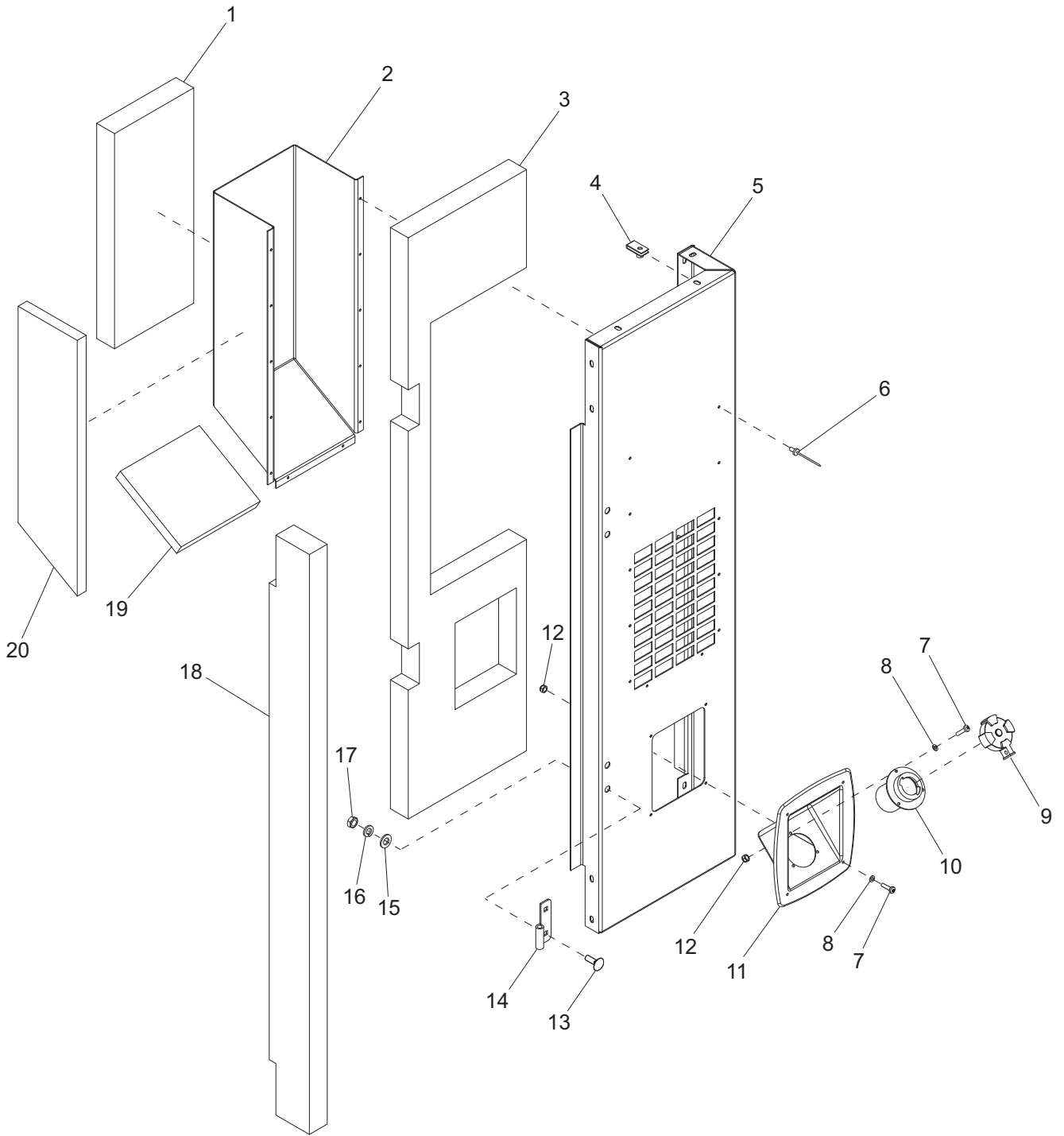
ITEM	PART NO.	QTY	DESCRIPTION	NOTES
1	22179	1	Foam panel, upper front door	
2	60095	11	Nut, .312-18 sflg	
3	60119	16	Washer, .312 flat .875/.070	
4	22133NS	1	Panel, upper front door	
5	60505	6	Nut, .312-18 U-clip	
6	60271	8	Washer, .312 split lock	
7	60028	8	Screw, .312-18x1.0 std hex, G5	
8	29901NS	1	Panel, left mid front	
9	60452	4	Washer, .313 flat - 1.125/1.0, SS	Bonded rubber
10	60168	4	Screw, .312-18x.750 std hex, G5	
11	22193	1	Foam panel, front left door - upper	
12	22194	1	Foam panel, front left door - lower	
13	22487	1	Foam panel, duct - upper	
14	22485	1	Foam panel, duct - left	
15	26089NS	1	Duct, front left door	
16	22160NS	1	Door, front left	
17	60268	21	Rivet, .188 dia. x .126 to .250, SS	
18	22497	1	Latch, T-handle - left CW lock	
19	61066	4	Screw, .312-18x1.0 carr sqr, SS	
20	18459	2	Hinge, left (male)	
21	60243	4	Washer, .250 flat .735/.060	
22	60271	4	Washer, .312 split lock	
23	60285	4	Nut, .312-18 hex, G2	
24	60048	1	Pin, roll - .125x.625	
25	18900ZC	1	Rod, door prop	
26	20916Z	2	Bracket, prop rod	
27	22488	1	Foam, panel, duct - lower	
28	22486	1	Foam, panel, duct - right	
29	60507	3	Screw, .312-18x1.0 std hex, SS	
30	60701	3	Washer, .312 split lock, SS	
31	60340	6	Washer, .312 flat .875/.040, SS	
32	22134NS	1	Panel, lower front door	
33	22180	1	Foam panel, lower front door	
--	50187	3	Seal, door - D-shaped (.750)	Panels 22133NS, 29901NS, 22134NS

LEFT REAR DOOR ASSEMBLY



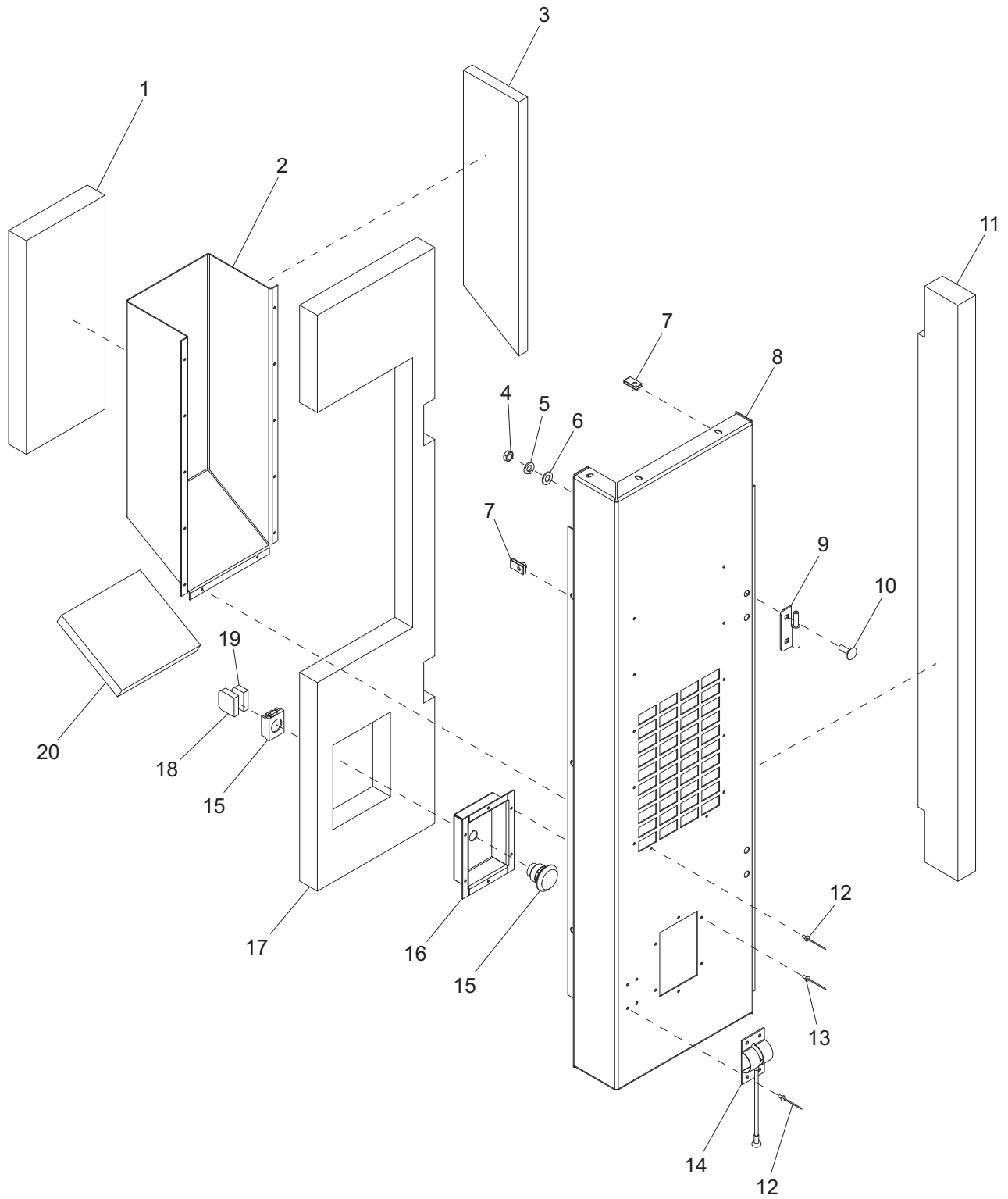
ITEM	PART NO.	QTY	DESCRIPTION	NOTES
1	22181	1	Foam panel - upper rear door	
2	60505	10	Nut, .312-18 U-clip	
3	22135NS	1	Panel, rear left upper	
4	31836	2	Foam panel - left rear door sides	
5	31833	1	Foam panel - left rear door	
6	31827	1	Foam panel - rear duct - upper	
7	31831	1	Foam panel - rear duct - lower	
8	30874NS	1	Duct, air	
9	60144	14	Nut, .250-20 nylock, G5	
10	60089	14	Washer, .265 fender 1.250/.060	
11	60285	4	Nut, .312-18 hex, G2	
12	60271	4	Washer, .312 split lock	
13	60243	4	Washer, .250 flat .735/.060	
14	30714NS	1	Door, rear left	
15	18461	2	Hinge, right (male)	
16	61066	4	Screw, .312-18x1.0 carr sqr, SS	
17	60452	6	Washer, .313 flat 1.125/1.0, SS	Bonded rubber
18	60507	6	Screw, .312-18x1.0 std hex, SS	
19	60684	14	Screw, .250-20x.875 std hex, SS	
20	60696	14	Washer, .250 flat .625/.050, SS	
21	60268	19	Rivet, .188 dia. x .126 to .250, SS	
22	22497	1	Latch, T-handle - right ccw lock	
23	60048	1	Pin, roll - .125x.625	
24	20916Z	1	Bracket, prop rod	
25	18900ZC	1	Rod, door prop	
26	30716	1	Rubber seal - pump outlet	
27	22137NS	1	Panel, rear door - lower	
28	60340	5	Washer, .312 flat .875/.040, SS	
29	60507	1	Screw, .312-18x1.0 std hex, SS	
30	60028	4	Screw, .312-18x1.0 std hex, G5	
31	60095	5	Nut, .312-18 sflg	
32	60507	4	Screw, .312-18x1.0 std hex, SS	
33	60452	4	Washer, .312 flat 1.125/1.0, SS	Bonded rubber
34	29900NS	1	Panel, left mid rear	
--	50187	3	Seal, door - D-shaped (.750)	Panels 22135NS, 22137NS, 29900NS

LEFT REAR CORNER PANEL ASSEMBLY



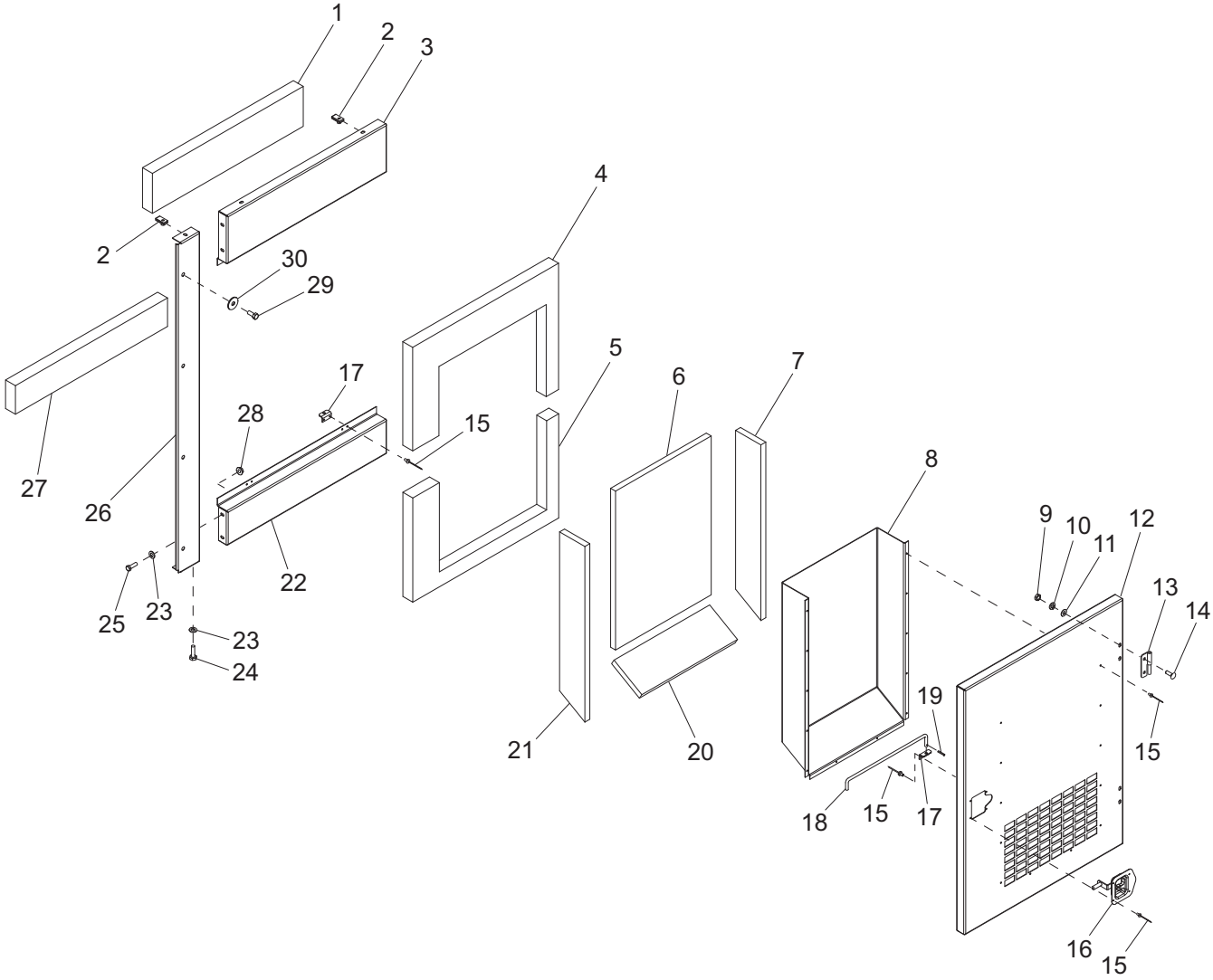
ITEM	PART NO.	QTY	DESCRIPTION	NOTES
1	21968	1	Foam panel, small duct face	
2	21871NS	1	Duct, side air	
3	22176	1	Foam panel, left rear corner	
4	60505	6	Nut, .312-18 U-clip	
5	22062NS	1	Panel, left rear corner	
6	60268	12	Rivet, .188 dia. x .126 to .250, SS	
7	60529	7	Screw, 10-24x.625 pan phil, SS	
8	60067	7	Washer, #10 flat - .435/.060	
9	18648	1	Cap, fuel fill - w/gasket	
10	18666B	1	Weldment, filler tube and flange	
11	18506	1	Port, fuel fill	
12	60457	7	Nut, 10-24 nylock, G2	
13	61066	4	Screw, .312-18x1.0 carr sqr, SS	
14	18460	2	Hinge, right (female)	
15	60243	4	Washer, .250 flat - .735/.060	
16	60271	4	Washer, .312 split lock	
17	60285	4	Nut, .312-18 hex, G2	
18	21963	1	Foam panel, front/rear corner - common	
19	21969	1	Foam panel, small duct - lower	
20	21970	1	Foam panel, small duct - right	
--	18719	1	Assembly, fuel fill port	
--	50197	1	Weatherstripping - .06x1.0	Panel 22062NS

RIGHT REAR CORNER PANEL ASSEMBLY



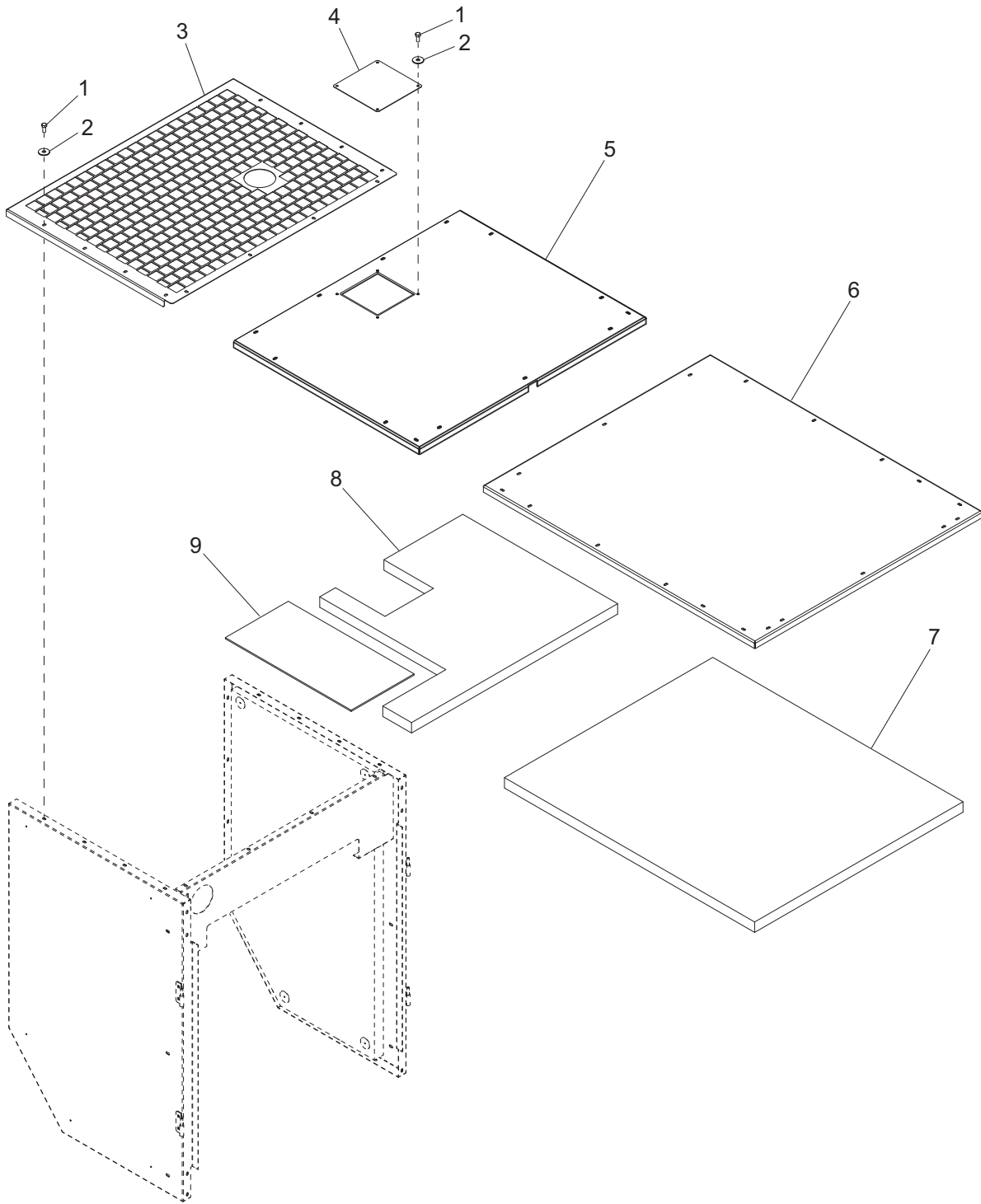
ITEM	PART NO.	QTY	DESCRIPTION	NOTES
1	21968	1	Foam panel, small duct face	
2	21871NS	1	Duct, side air	
3	21971	1	Foam panel, small duct left	
4	60285	4	Nut, .312-18 hex, G2	
5	60271	4	Washer, .312 split lock	
6	60243	4	Washer, .250 flat .735/.060	
7	60505	9	Nut, .312-18 U-clip	
8	32063NS	1	Panel, right rear corner	
9	18462	2	Hinge, left (female)	
10	61066	4	Screw, .312-18x1.0 carr sqr, SS	
11	21963	1	Foam panel, front/rear corner - common	
12	60268	16	Rivet, .188 dia. x .126 to .250, SS	
13	60260	6	Rivet, .188 dia. x .375 to .500, SS	
14	62225	1	Latch, door - stainless cable w/ball	
15	65470	1	Switch, E-stop operator	
16	30645	1	Panel, emergency stop	
17	22177	1	Foam, panel - right rear corner	
18	65580	1	Block, E-stop contactor - NC	
19	65584	1	Block, E-stop contactor - NO/NO	
20	21969	1	Foam panel - small duct - lower	
--	50197	1	Weatherstripping - .06x1.0	Panel 32063NS

RIGHT FRONT DOOR ASSEMBLY



ITEM	PART NO.	QTY	DESCRIPTION	NOTES
1	22179	1	Foam panel, front door - upper	
2	60505	6	Nut, .312-18 U-clip	
3	22133NS	1	Panel, front door - upper	
4	22191	1	Foam panel, right front door - upper	
5	22192	1	Foam panel, right front door - lower	
6	22487	1	Foam, front duct face	
7	22485	1	Foam, panel - door duct - left	
8	22484NS	1	Duct, front right door	
9	60285	4	Nut, .312-18 hex, G2	
10	60271	4	Washer, .312 split lock	
11	60243	4	Washer, .250 flat - .735/.060	
12	22159NS	1	Door, front right	
13	18461	2	Hinge, right (male)	
14	61066	4	Screw, .312-18x1.0 carr sqr, SS	
15	60268	20	Rivet, .188 dia. x .126 to .250, SS	
16	22498	1	Latch, T-handle - right ccw lock	
17	20916Z	2	Bracket, prop rod	
18	60048	1	Pin, roll - .125x.625	
19	18900ZC	1	Rod, door prop	
20	22488	1	Foam panel, small duct - lower	
21	22486	1	Foam panel, small duct - right	
22	22134NS	1	Panel, front door - lower	
23	60340	5	Washer, .312 flat .875/.040, SS	
24	60507	1	Screw, .312-18x1.0 std hex, SS	
25	60028	4	Screw, .312-18x1.0 std hex, G5	
26	29902NS	1	Panel, left mid rear	
27	22180	1	Foam panel, front door - lower	
28	60095	5	Nut, .312-18 sflg	
29	60168	4	Screw, .312-18x.750 std hex, G5	
30	60452	4	Washer, .313 flat - 1.125/1.0, SS	
--	50187	3	Seal, door - D-shaped (.750)	Bonded rubber Panels 22133NS, 22134NS, 29902NS

ROOF ASSEMBLY



ITEM	PART NO.	QTY	DESCRIPTION	NOTES
1	60168	42	Screw, .312-18x.750 std hex, G5	Bonded rubber
2	60452	42	Washer, .313 flat 1.125/1.0, SS	
3	29911B	1	Panel, roof insert	
4	25053NS	1	Panel, access	
5	29910NS	1	Panel, front roof	
6	29909NS	1	Panel, rear roof	
7	29920	1	Foam panel, rear roof	
8	22174	1	Foam panel, front roof	
9	23982	1	Insulation, ceramic roof	

REV: ORG
PART NO: 31134
06.28.12